

# 10 Free standing luminaires

## FREE LINEAR

### Quickinfo

#### LUMINAIRE

Floor  
Free standing luminaire  
Aluminum  
silver RAL9006/black RAL9005  
IP20

#### LED

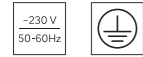
3000K, 4000K  
CRI>80  
initial MacAdam 3 SDCM  
50.000h L80

#### LIGHT DISTRIBUTION



#### ELECTRIC

ON-OFF + dim



### Description

FREE LINEAR, crafted from high-quality aluminum with a powder-coated finish in silver or black, stands out with its exceptional design: instead of a large light-emitting surface, it features a linear reflector unit that directs light asymmetrically and precisely over the workstation. This unique structure ensures optimal light distribution, perfectly illuminating the workspace. The indirect light component simultaneously creates a pleasant ambient atmosphere. Equipped with integrated daylight and motion sensors, FREE LINEAR automatically adapts to changing environmental conditions, while the built-in control panel allows for seamless dimming. Additionally, the USB-A port offers convenient charging for external devices. FREE LINEAR is the ideal lighting solution for modern work environments where functionality and innovative design go hand in hand.



### Types

PRODUCT CODE	POWER	LUMINOUS FLUX	LIGHT DISTRIBUTION	COLOUR TEMP.	WEIGHT
BLFL080.5EC2X	80W	10.500lm	direct-indirect	3000K / 4000K selectable	12,5kg



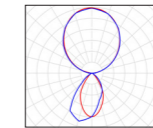
### Multicolour



#### One luminaire, different colour temperatures

Selectable colour temperatures:  
3000K/4000K

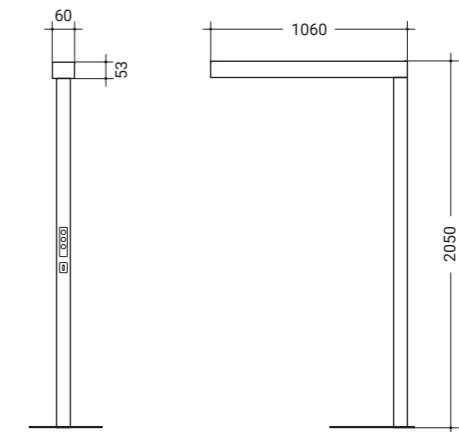
### Light distribution



^ 75%  
Light distribution  
v 25%

REFLECTOR  
ASYM. 60°x60°x15°  
UGR<16

### Dimensions



### Base

Robust stand base ensures stability and flexible placement



incl. 3m input cable

## What's new:

### Table-mounted luminaire

Available as a table-mounted lamp on request. Attached to the edge of a stable, load-bearing surface using a table clamp.

### Motion sensor



Equipped with daylight and motion sensors.

### Optic



Multi-chamber reflector for precise light distribution

### Dimming capability



Stepless dimming via control element on the luminaire

### USB-A Port



USB-A port on the luminaire for charging external devices

