

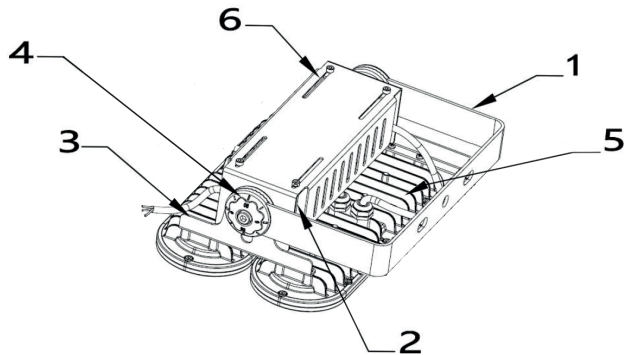
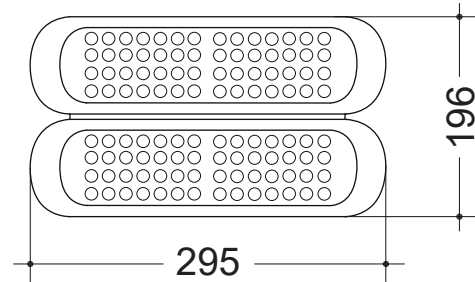
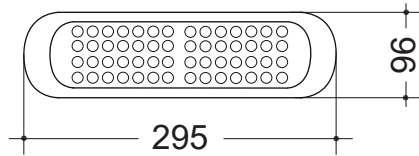
UEBEX
LED LIGHTING

Name

Flutlichtstrahler ATUR2
45W | FLA2045
90W | FLA2090

Input Characteristics

120-240V 50/60Hz



No.	Name	No.	Name
1	U-bracket	4	Lamp Dial
2	LED Driver	5	Light Source Module
3	Module Bracket	6	Electric Box



To avoid the risk of fire, explosion, or electric shock, this product should be installed, inspected, and maintained by a qualified electrician only, in accordance with all applicable electrical codes.

To avoid electric shock:

- Be certain electrical power is OFF before and during installation and maintenance.
- Luminaire must be connected to a wiring system with an equipment-grounding conductor.
- Make sure the supply voltage is the same as the rated luminaire voltage.
- Do not operate in ambient temperatures above those indicated on the luminaire nameplate.

To avoid Fire:

- Keep flammable and combustible materials away from the light source and/or lens.
- Ensure lamps are installed correctly.
- Use correctly rated supply conductors as indicated by product labeling.

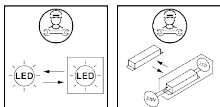
Burn:

- Allow luminaire and lamps to cool before handling luminaire or changing lamp.
- Follow all warnings, restrictions and recommendations given by the lamp manufacturers.

Personal Injury:

- Wear safety glasses and gloves when handling the luminaire to avoid physical injury.
- Avoid direct eye contact with light source.
- Always support the weight of the luminaire.

INFORMATION ZUR EU ÖKODESIGN VERORDNUNG | INFORMATION ON THE EU ECODESIGN DIRECTIVE



Wichtige Informationen zur Energieeffizienz von UEBEX Leuchten, sowie zur EU Ökodesignverordnung finden Sie unter www.uebex.com
Important information on the energy efficiency of UEBEX luminaires, as well as on the EU Ecodesign Regulation can be found at www.uebex.com

DIESES PRODUKT ENTHÄLT EINE LICHTQUELLE DER ENERGIEEFFIZIENZKLASSE C.
THIS PRODUCT CONTAINS A LIGHT SOURCE OF ENERGY EFFICIENCY CLASS C.