

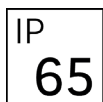
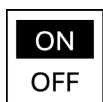
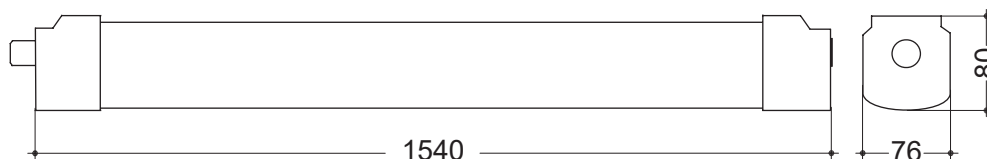
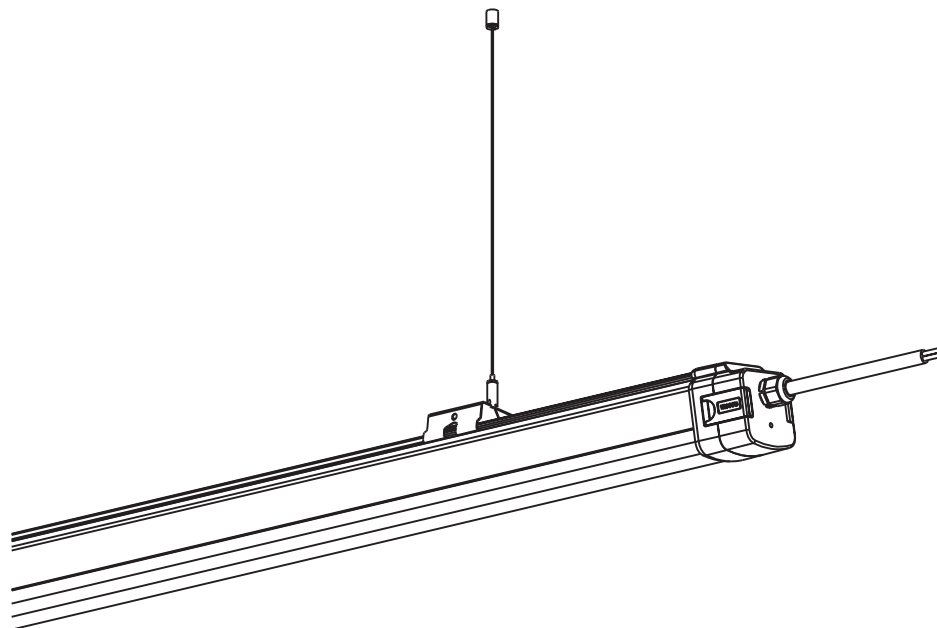
**UEBEX**  
LED LIGHTING

Feuchtraumleuchte POLEDO2

Anschluss

FRP2075.1XX22 - 60° / 90° - ON/OFF  
FRP2071.1AX22 - Opal - ON/OFF  
FRP2110.1XX22 - 60° / 90° - ON/OFF  
FRP2058.2XX22 - 60° / 90° - DALI  
FRP2063.2AX22 - Opal - DALI  
FRP2075.8XX22 - 60°/90° - EMC  
FRP2071.8AX22 - Opal - EMC

220-240V 50/60Hz



To avoid the risk of fire, explosion, or electric shock, this product should be installed, inspected, and maintained by a qualified electrician only, in accordance with all applicable electrical codes.

**To avoid electric shock:**

- Be certain electrical power is OFF before and during installation and maintenance.
- Luminaire must be connected to a wiring system with an equipment-grounding conductor.
- Make sure the supply voltage is the same as the rated luminaire voltage.
- Do not operate in ambient temperatures above those indicated on the luminaire nameplate.

**To avoid Fire:**

- Keep flammable and combustible materials away from the light source and/or lens.
- Ensure lamps are installed correctly.
- Use correctly rated supply conductors as indicated by product labeling.

**Burn:**

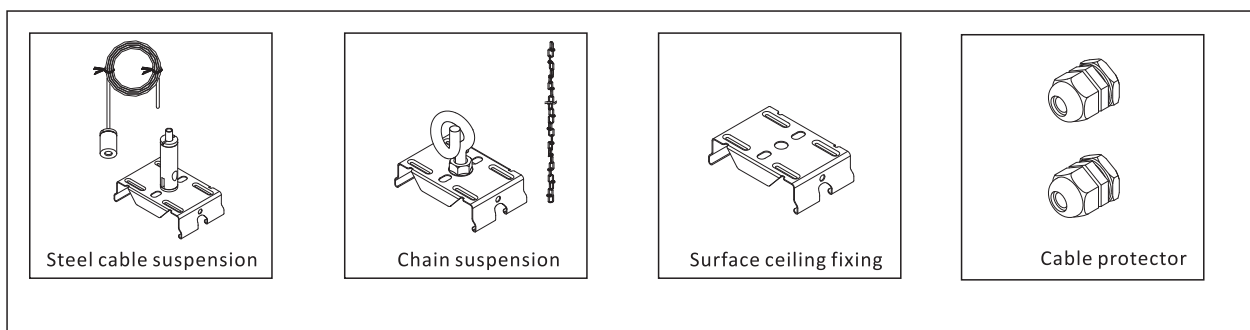
- Allow luminaire and lamps to cool before handling luminaire or changing lamp.
- Follow all warnings, restrictions and recommendations given by the lamp manufacturers.

**Personal Injury:**

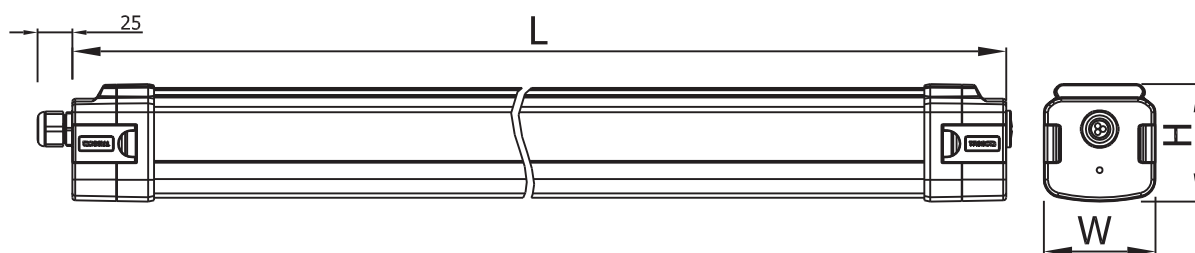
- Wear safety glasses and gloves when handling the luminaire to avoid physical injury.
- Avoid direct eye contact with light source.
- Always support the weight of the luminaire.



# Accessories

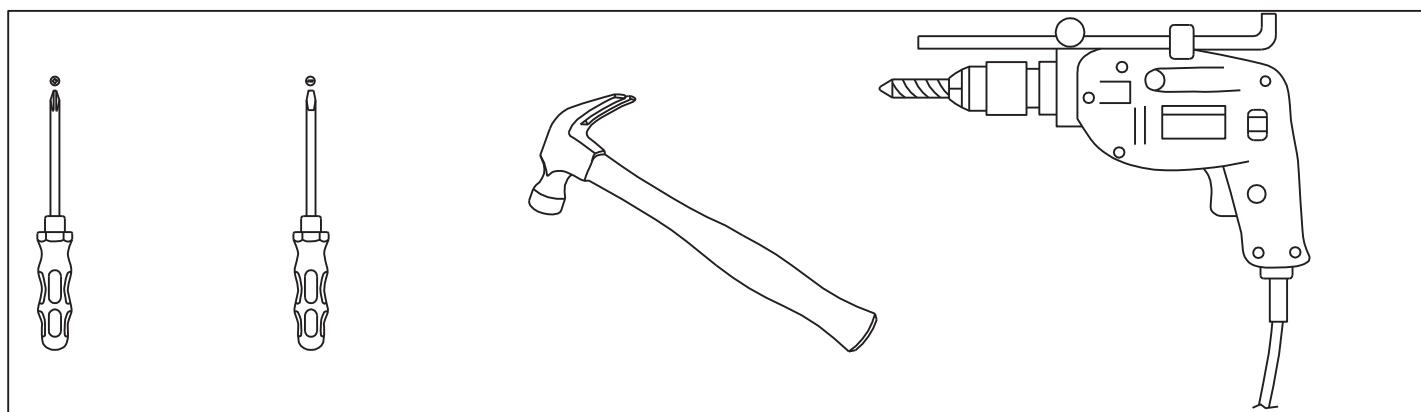


# Product Size



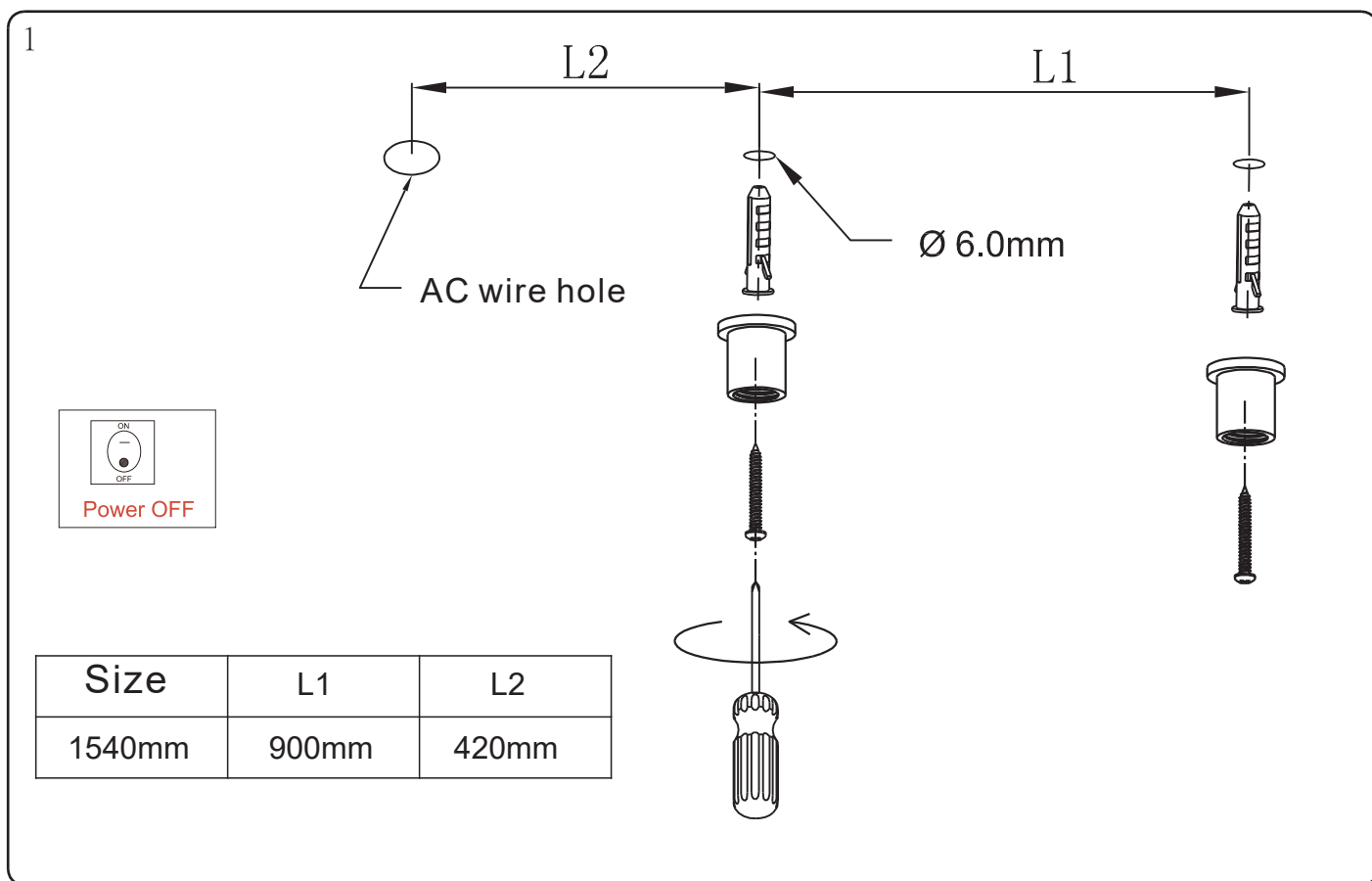
L	W	H
1540mm	76mm	80mm

# Tools

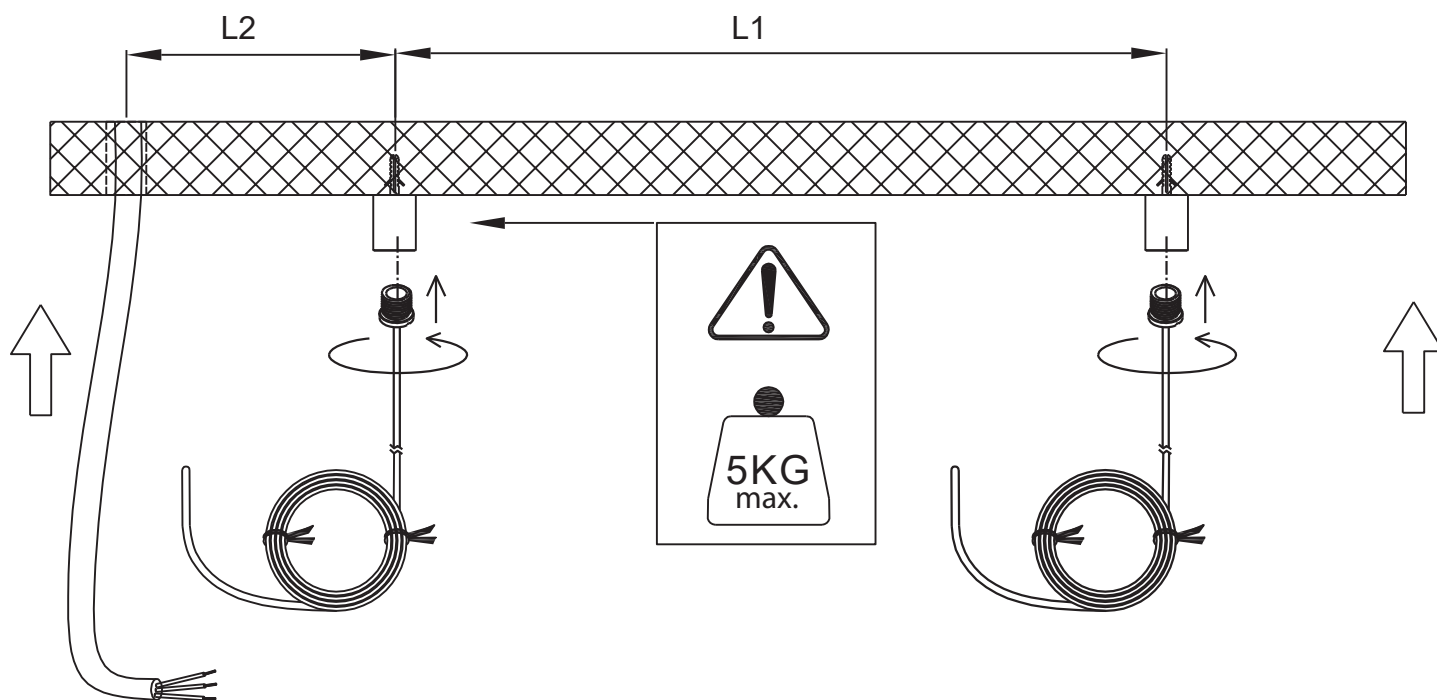


# SUSPENDING MOUNTING

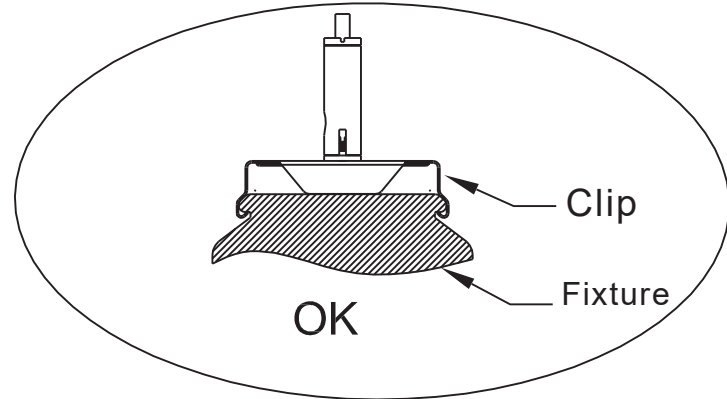
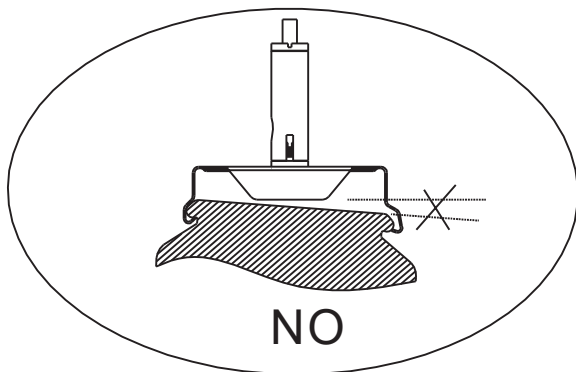
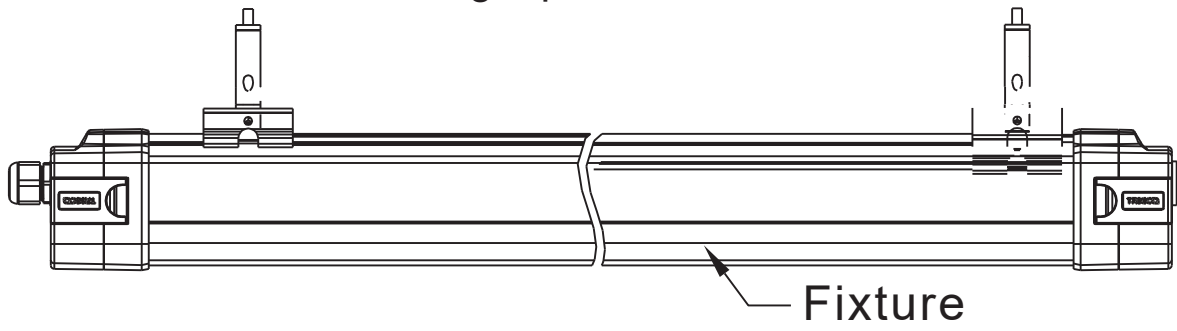
Drill a hole on ceiling.



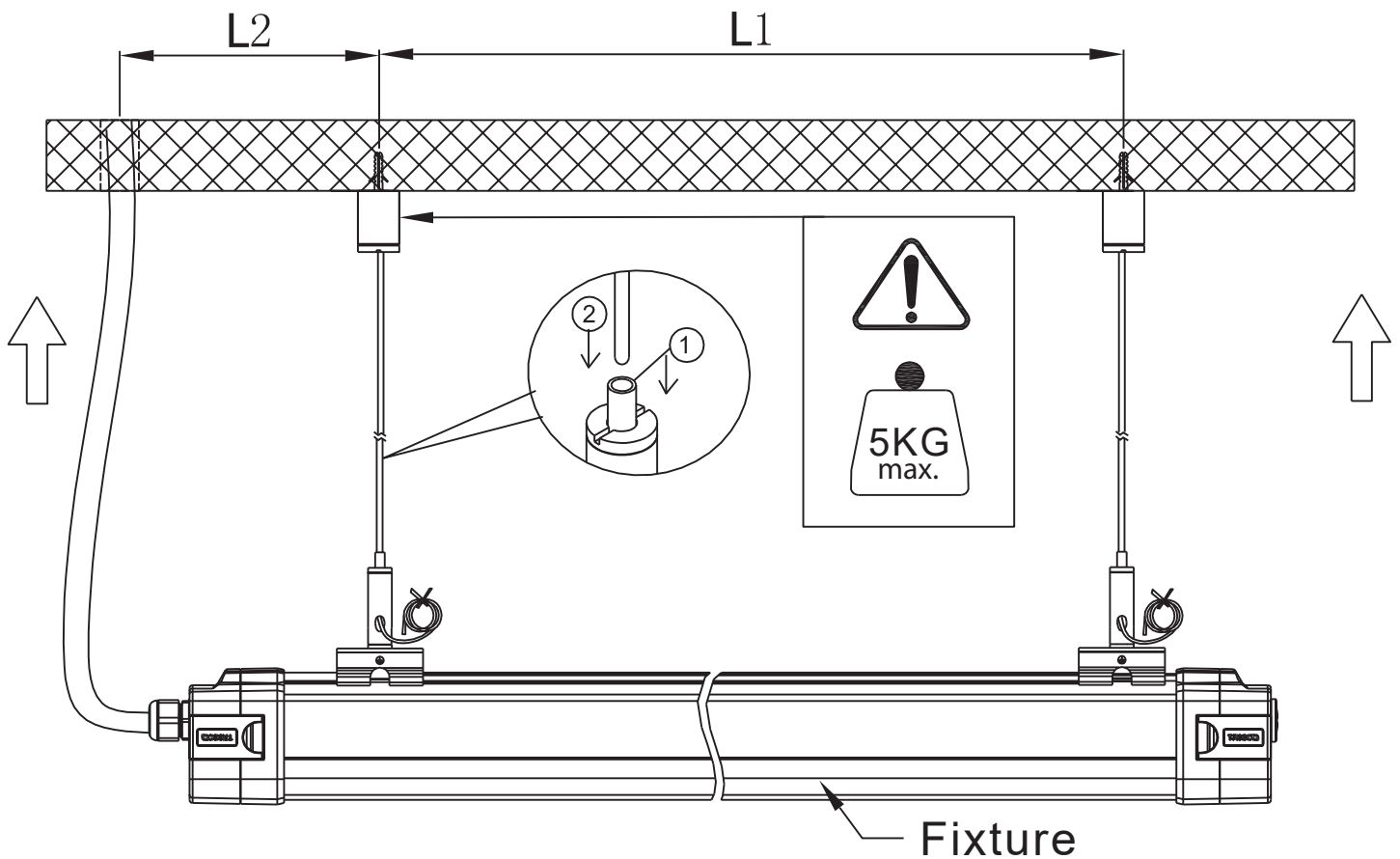
Screw the steel cable onto the ceiling.



Make sure the fixture is in the right place



Pass steel cable through and adjust the fixture suspension height as will.



# SURFACE MOUNTING

## Drill a hole in the ceiling

1

AC wire hole

Ø 6.0mm

22

L1

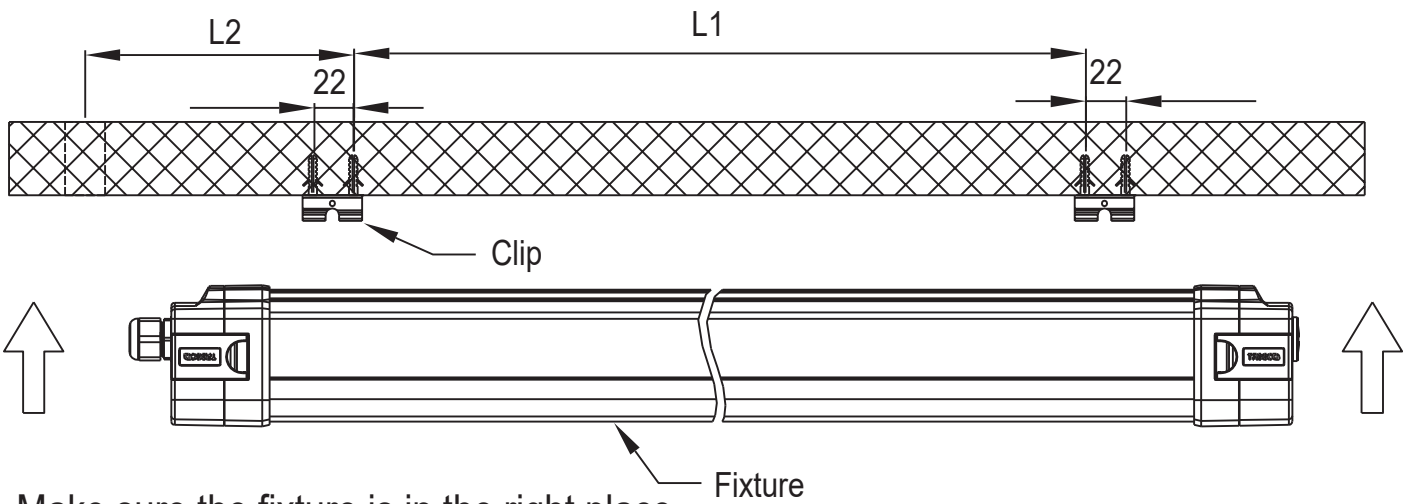
L2

Power OFF

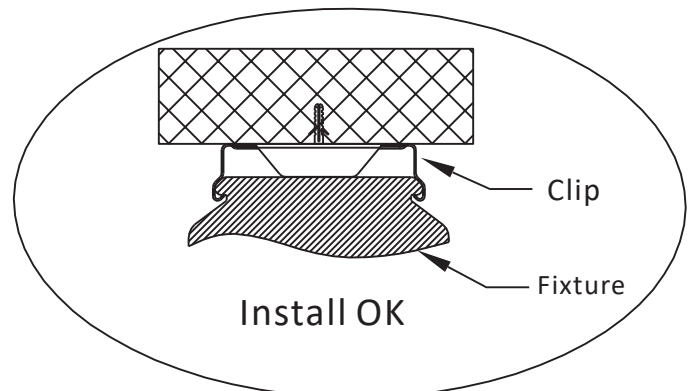
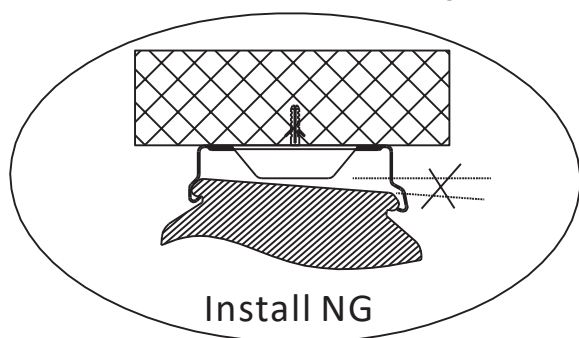
Size	L1	L2
1540mm	900mm	420mm

5KG max.

## Install the fixture into the clips

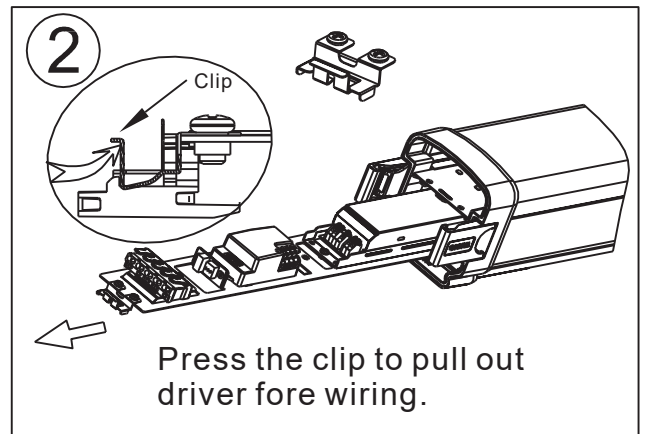
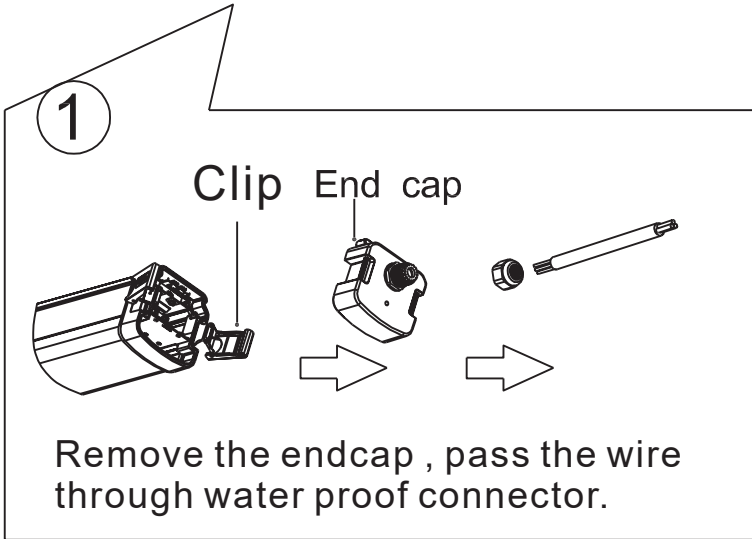
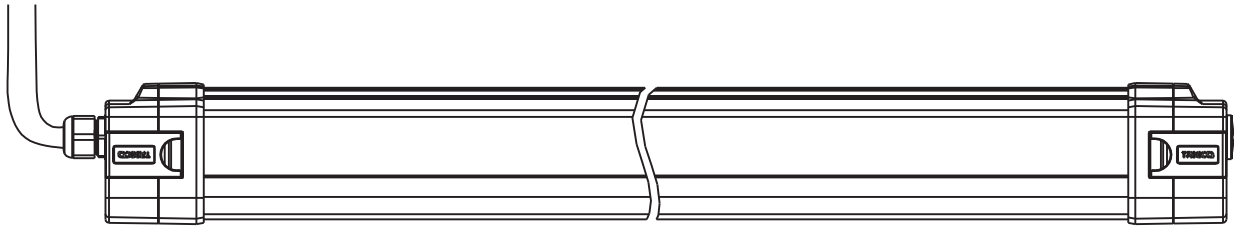


Make sure the fixture is in the right place.

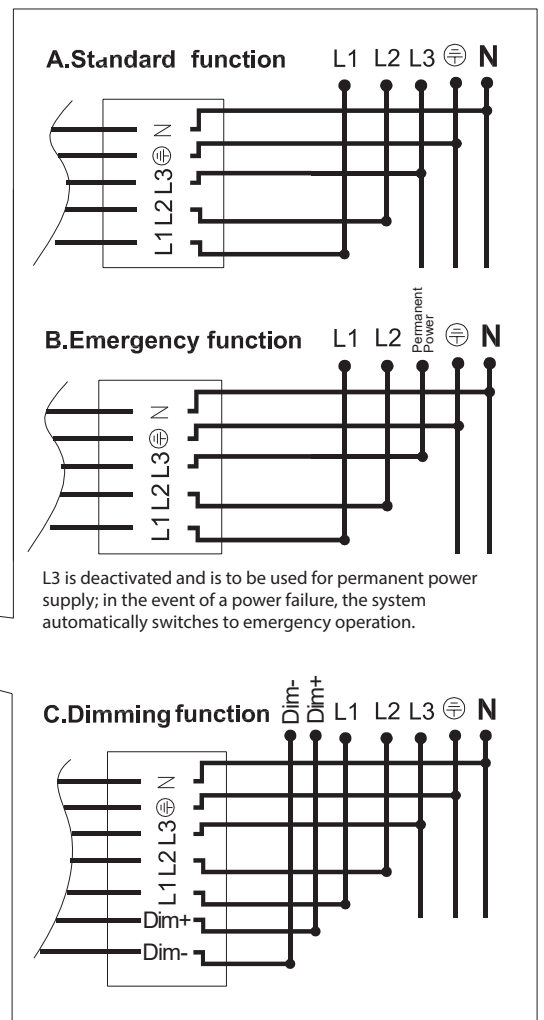
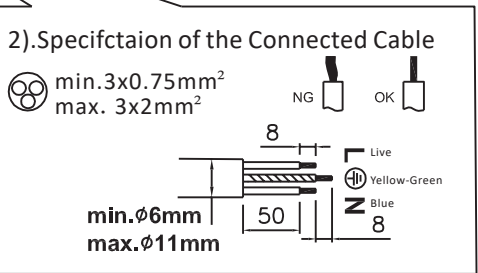
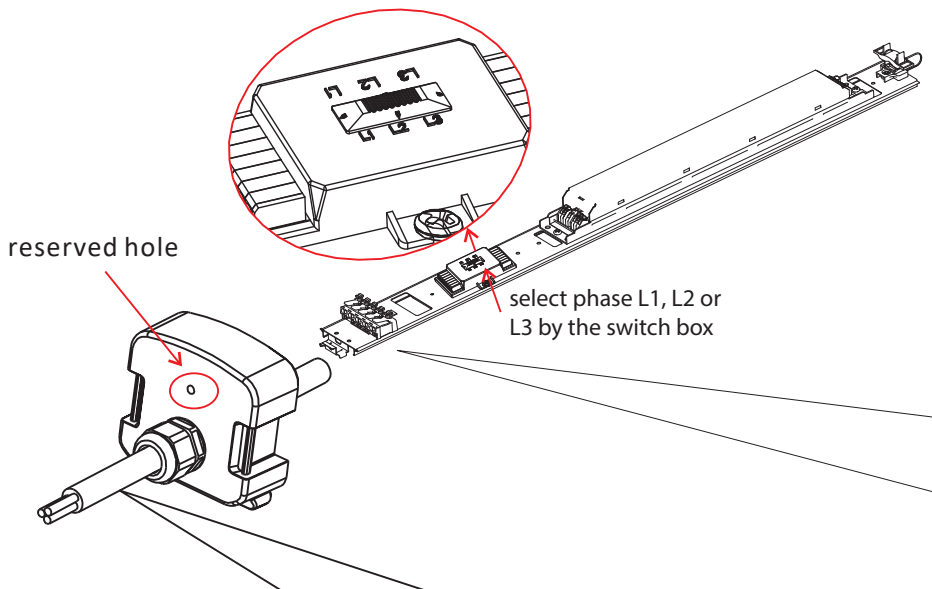


# Single fixture installation diagram.

Attention: Always turn off during installation.



**3** Take the diagram on right side for wiring reference.



- ④ Confirm the wiring, fix endcap with clip, tighten waterproof connector, then switch on.

Continuous installation diagram.

Attention: Always turn power off during installation

