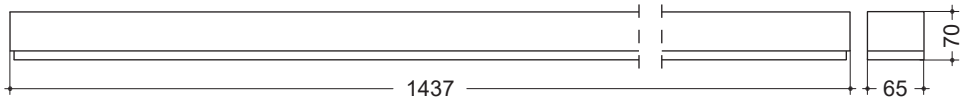
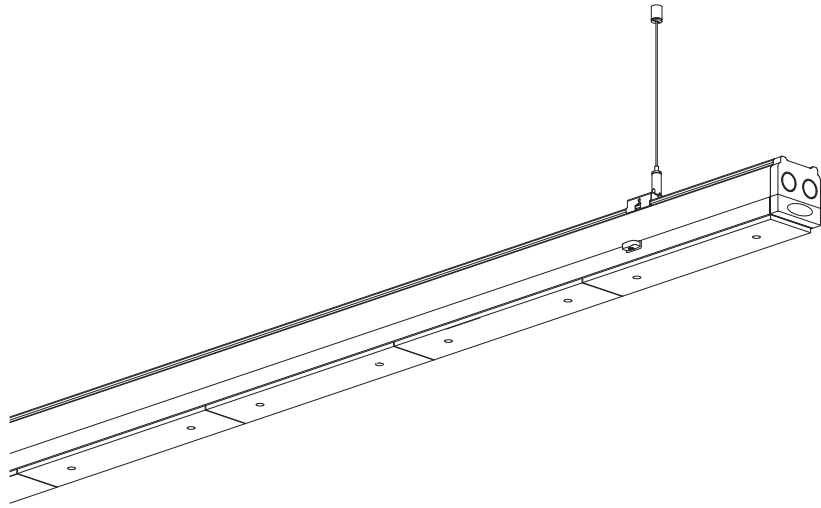
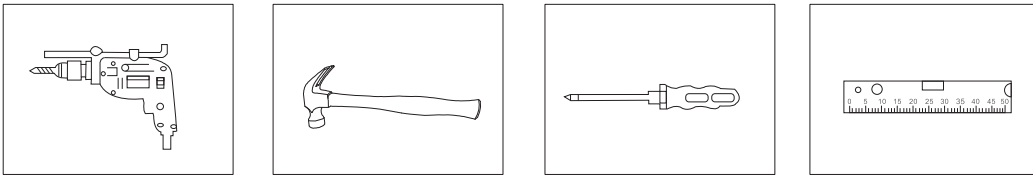


UEBEX
LED LIGHTING

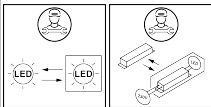
Name	Input Characteristics
Lichtband CARILLO LENS LBCL075.1XX22 - 60° / 90° - ON/OFF LBCL071.1AX22 - Opal - ON/OFF LBCL058.2XX22 - 60° / 90° - DALI LBCL063.2AX22 - Opal - DALI	220-240V 50/60Hz



Thank you for choosing our product. Please read this guide carefully before Installation



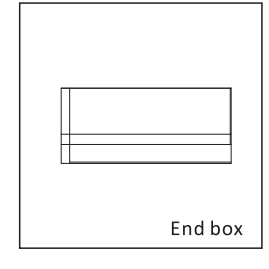
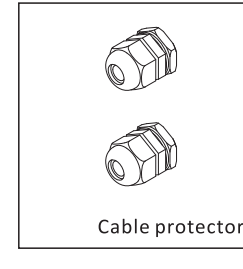
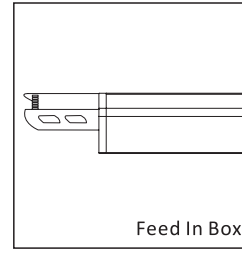
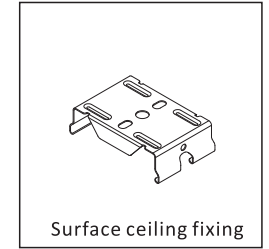
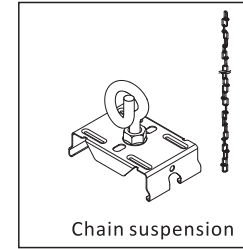
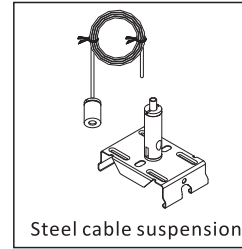
INFORMATION ZUR EU ÖKODESIGN VERORDNUNG



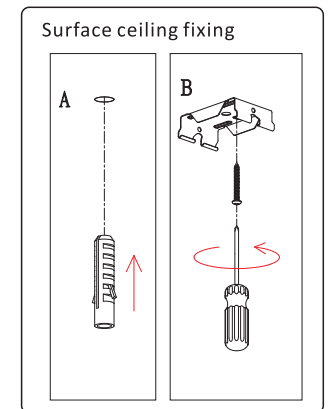
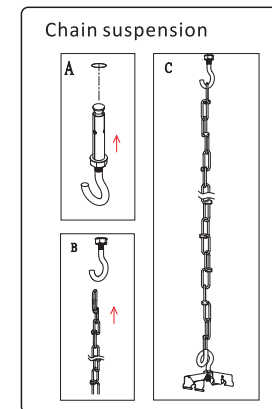
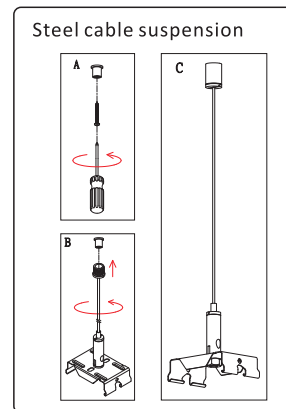
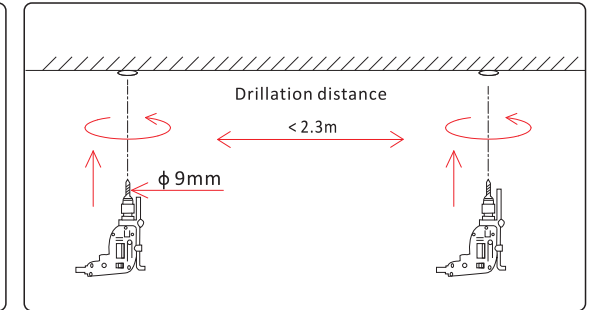
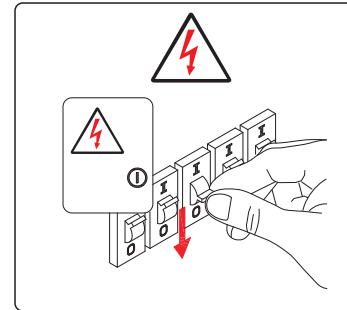
Wichtige Informationen zur Energieeffizienz von UEBEX Leuchten, sowie zur EU Ökodesignverordnung finden Sie unter: www.uebex.com

Dieses Produkt enthält eine Lichtquelle der Energieeffizienzklasse C.
This product contains a light source of energy efficiency class C.

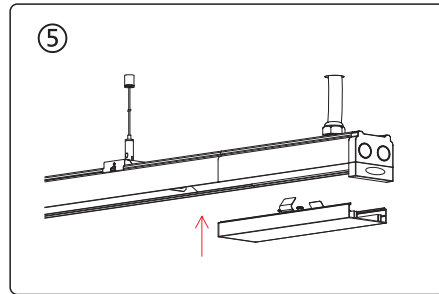
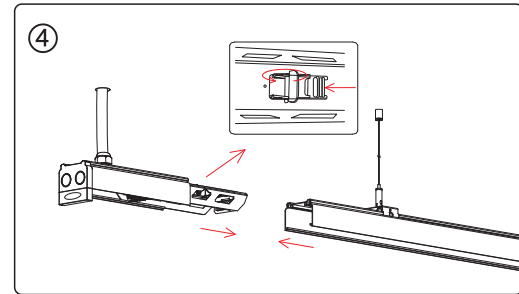
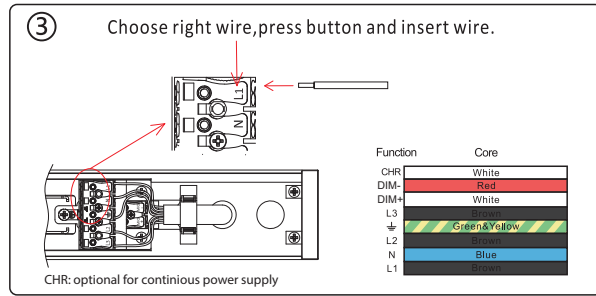
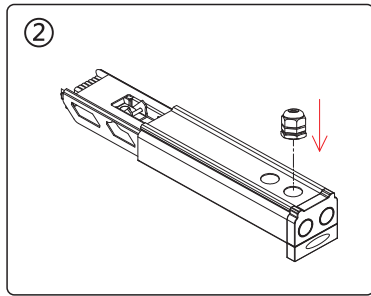
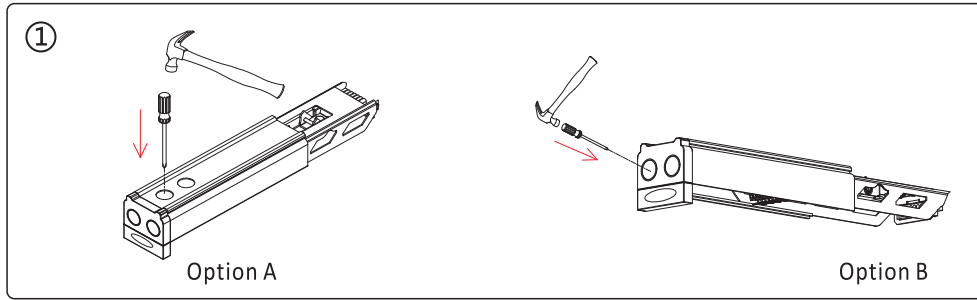
ACCESSORIES



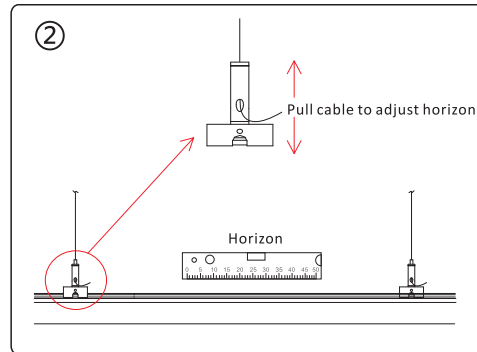
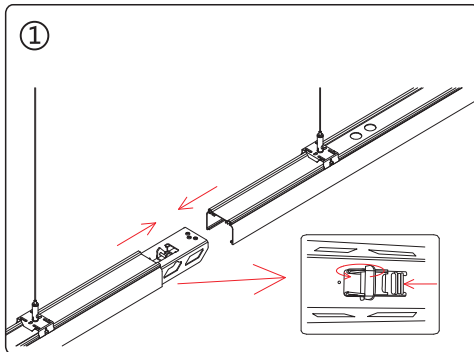
1. Turn off power and install fixing fittings.



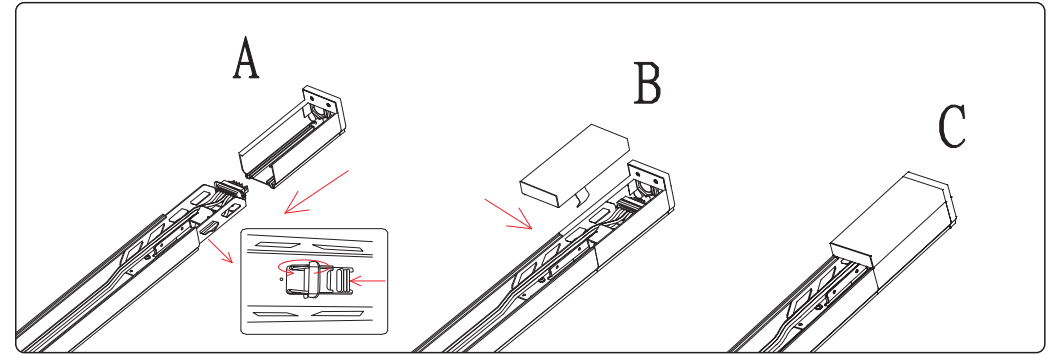
2. Connect power-supply wires.



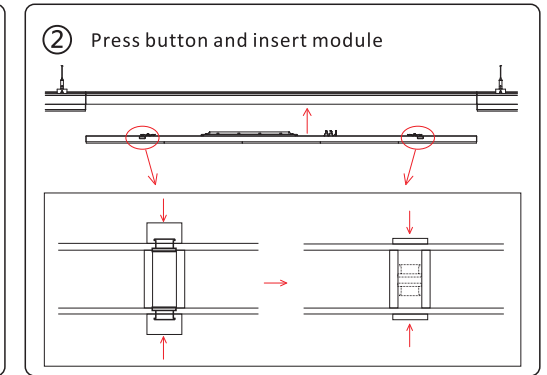
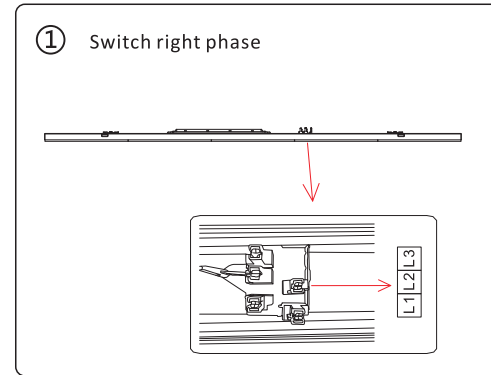
3. Connect trunks



4. Ended with end box on last trunk.



5. Switch right phase and insert modules.



6. Finish installation.

