

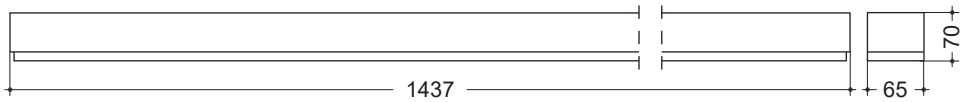
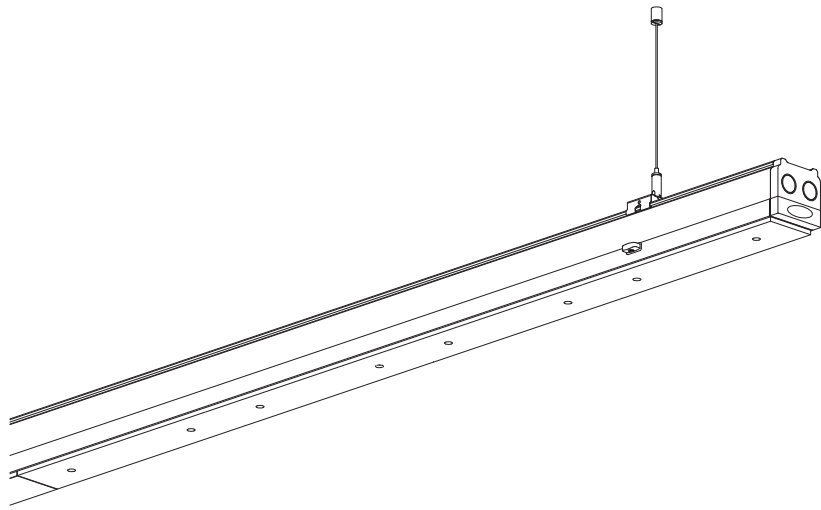
UEBEX
LED LIGHTING

Name

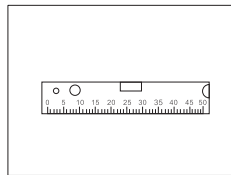
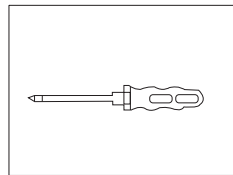
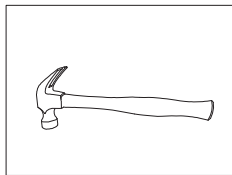
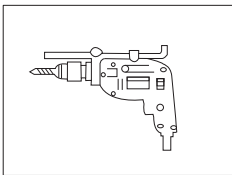
Lichtband CARILLO LENS
LBCL075.3XX22.2 - 60° / 90° - ON/OFF
LBCL075.2XX22.2 - 60° / 90° - DALI

Input Characteristics

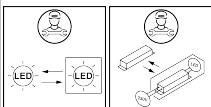
220-240V 50/60Hz



Thank you for choosing our product. Please read this guide carefully before Installation



INFORMATION ZUR EU ÖKODESIGN VERORDNUNG



Wichtige Informationen zur Energieeffizienz von UEBEX Leuchten, sowie zur EU Ökodesignverordnung finden Sie unter: www.uebex.com

Dieses Produkt enthält eine Lichtquelle der Energieeffizienzklasse C.
This product contains a light source of energy efficiency class C.

DIP SCHALTER EINSTELLUNGEN 60°, 90° | DIP SWITCH SETTING 60°, 90°

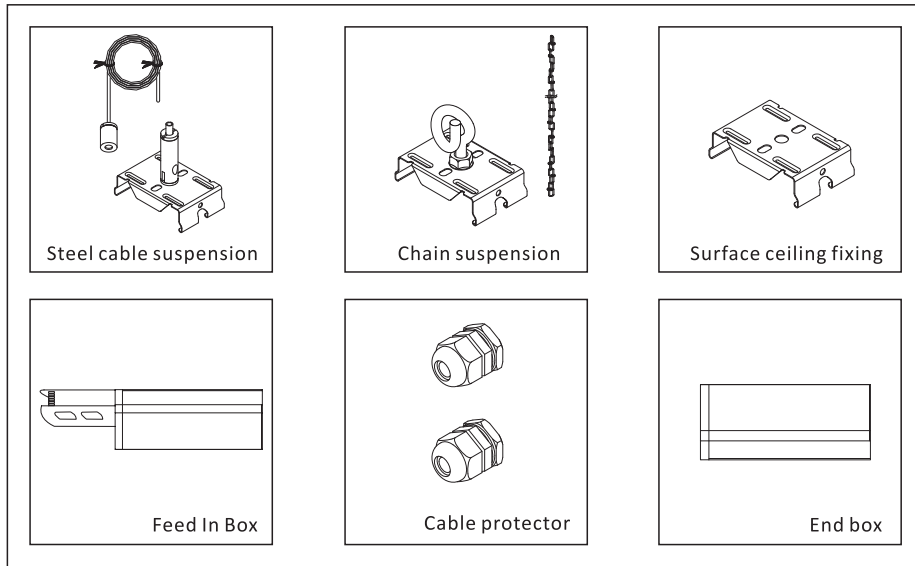
1-10V

ON	Output current	Power	DIP 1	DIP 2	DIP 3	DIP 4
ON	100mA	16W	-	ON	ON	ON
ON	150mA	24W	ON	-	ON	ON
ON	200mA	32W	-	-	ON	ON
ON	250mA	40W	-	ON	-	ON
ON	300mA	48W	-	-	-	ON
ON	350mA	57W	ON	ON	ON	-
ON	400mA	65W	-	-	ON	-
ON	450mA	74W	-	ON	-	-

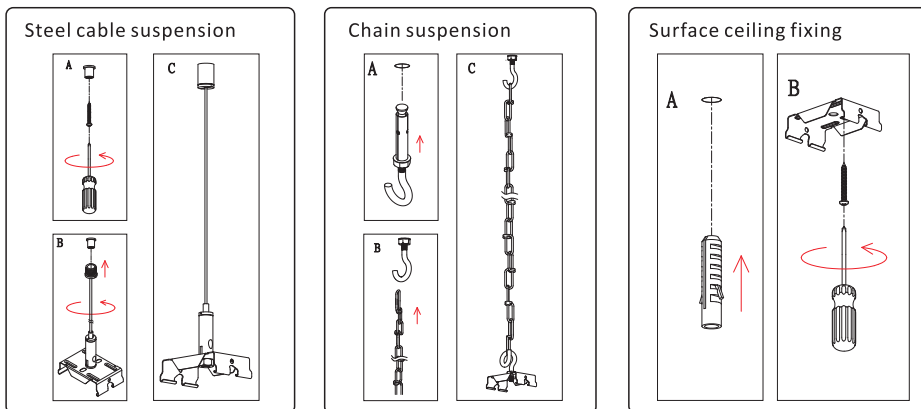
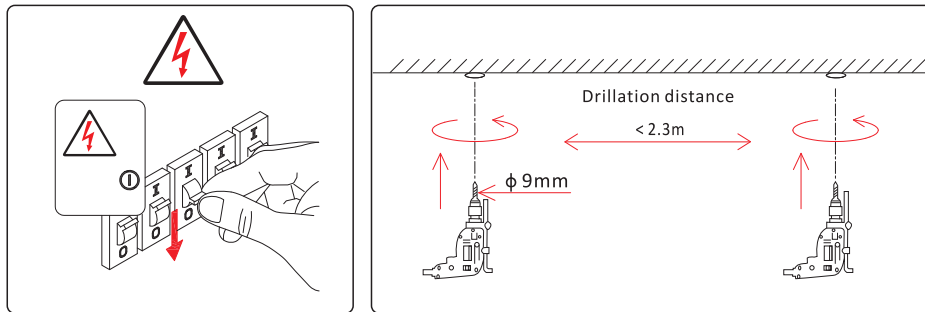
DALI

ON	Output current	Power	DIP 1	DIP 2	DIP 3	DIP 4
ON	100mA	17W	ON	ON	ON	ON
ON	150mA	24W	-	ON	ON	ON
ON	200mA	31W	ON	-	ON	ON
ON	250mA	39W	-	-	ON	ON
ON	275mA	43W	ON	ON	-	ON
ON	300mA	47W	-	ON	-	ON
ON	325mA	51W	ON	-	-	ON
ON	350mA	56W	-	-	-	ON
ON	375mA	60W	ON	ON	ON	-
ON	400mA	64W	-	ON	ON	-
ON	425mA	68W	ON	-	ON	-
ON	450mA	72W	-	-	ON	-
ON	475mA	77W	ON	ON	-	-

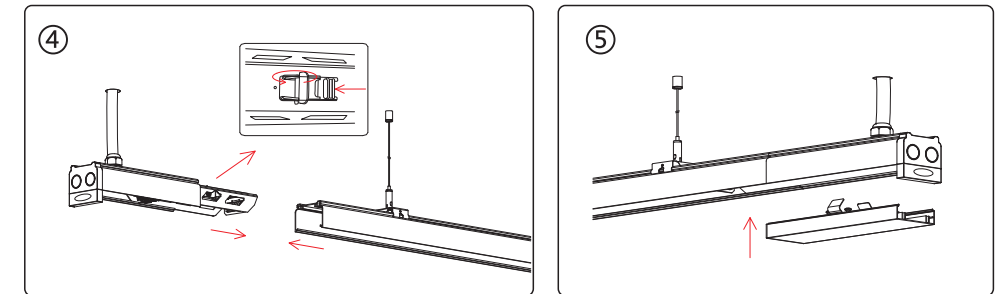
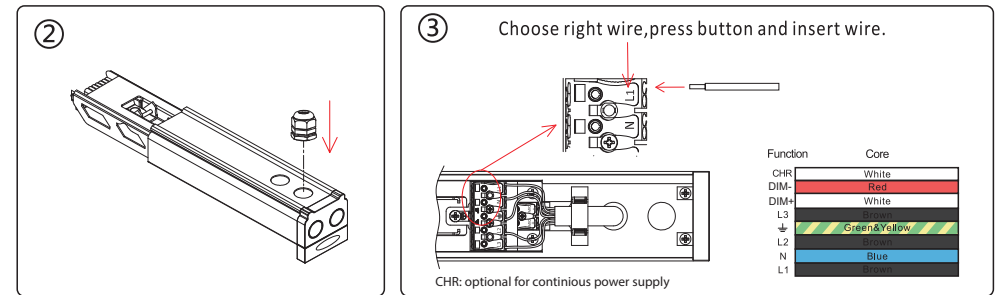
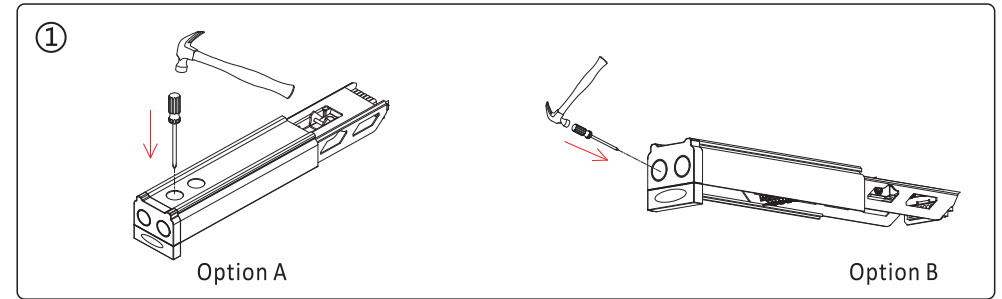
ACCESSORIES



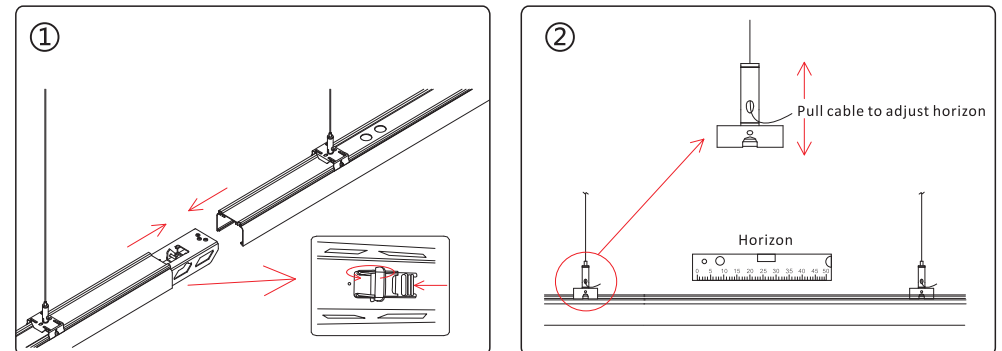
1. Turn off power and install fixing fittings.



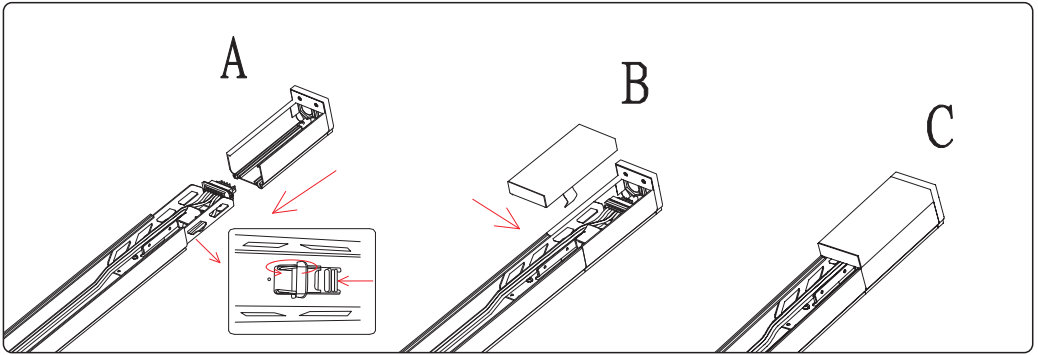
2. Connect power-supply wires.



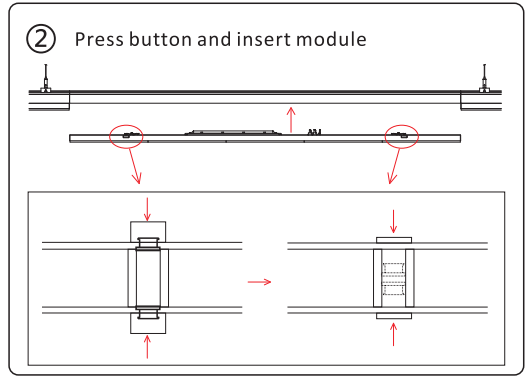
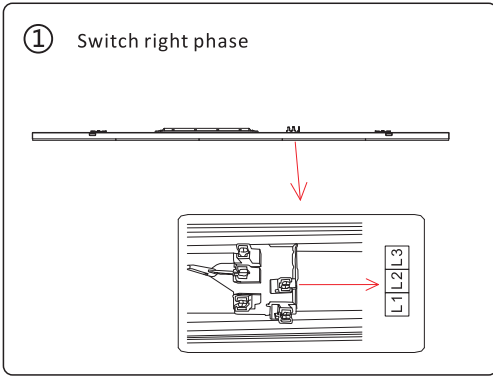
3. Connect trunks



4. Ended with end box on last trunk.



5. Switch right phase and insert modules.



6. Finish installation.

