

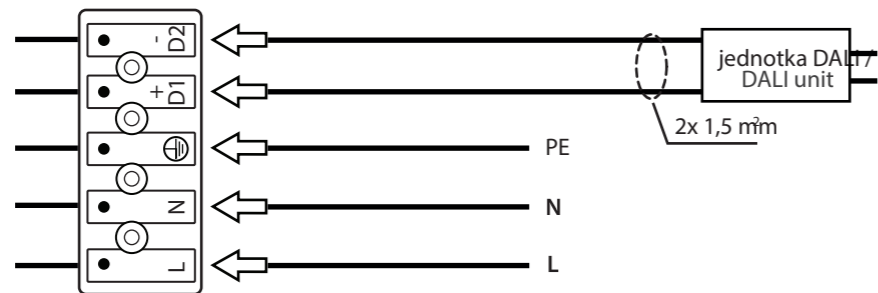


[EN] DALI dimmable luminaires

DALI dimmable luminaires are equipped with a 5-pole terminal block for connection of supply voltage (terminals L, N, PE) and DALI (terminals DA, DA resp. 3 and 2). To one DALI bus can be connected up to 64 luminaires, which can be grouped up to 16 groups. Each luminaire can be in multiple groups.

Features:

- dimming range 1% - 100%
- DALI signal values are 0V DC ($\pm 4.5V$) for "0" and 16V DC ($\pm 6.5V$) for "1"
- on DALI bus should ideally measure 16V DC to 22.5V DC
- maximum current on DALI bus is 250 mA and maximum current per luminaire is 2 mA
- DALI bus cable must be rated for 230V AC mains voltage under maximum 2 V drop on cable length up to 300 m
- For the DALI bus, we recommend using a separately guided 2x1.5mm² cable, instead of using eg. 5x1.5mm² together with 230 V AC



[EN] TOUCHDIM / SWITCH CONTROL dimmable luminaires

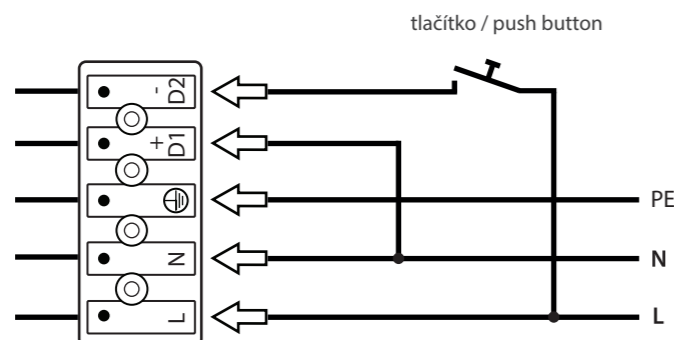
Luminaires with DALI LED driver, can be dimmed with the TOUCHDIM / SWITCH CONTROL function. This means that the dimming is done by using a simple pushbutton, when the light can be switched on / off by a short push and the dimming by long press.

The TOUCHDIM / SWITCH CONTROL function works by connecting the mains voltage to the DALI input terminals. Therefore, please make sure that all the components connected in this line are rated and protected according to all safety regulations. The DALI function is disabled during the TOUCHDIM / SWITCH CONTROL operation. For recommissioning, the luminaire must be disconnected from the supply voltage.

Up to 15 luminaires can be controlled by one button however all luminaires must be on the same main phase. The maximum cable length between the pushbutton and the lamp is 25 m. The cable length can be increased up to 200 m with connected capacitor 1 μF 275 V, to the DALI input terminals.

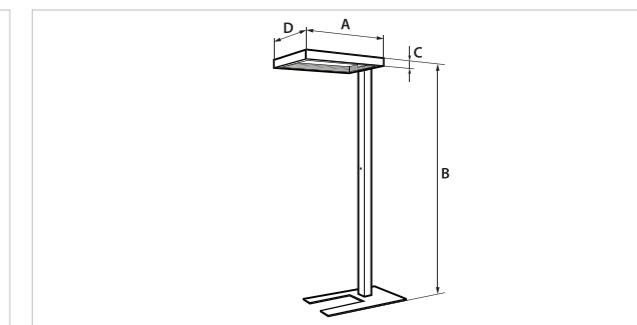
NOTICE! Multiple luminaires in TOUCHDIM / SWITCH CONTROL mode may cause non-synchronous dimming (some light is on and some are off). To dimming multiple luminaires with this function, is necessary to insert the "444" unit into the pushbutton circuit and "iDIMSolo" unit into the TOUCHDIM / SWITCH CONTROL circuit. For more informations please contact distributor or manufacturer.

Never use the TOUCHDIM / SWITCH CONTROL function at the same time as the DALI control!



Installation instructions

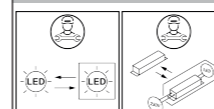
FREE



Dimension:

(A) 590mm x (B) 2000mm x (C) 50mm x (D) 320mm

INFORMATION ZUR EU ÖKODESIGN VERORDNUNG



Wichtige Informationen zur Energieeffizienz von UEBEX Leuchten, sowie zur EU Ökodesignverordnung finden Sie unter: www.uebex.com

Dieses Produkt enthält eine Lichtquelle der Energieeffizienzklassen D.
This product contains a light source of energy efficiency class D.



[EN] Please read this assembly instructions and operating instructions before use!

- light source in this luminaire may only be replaced by a manufacturer, by the contractual service or an authorized qualified person.
- installation may only be carried out by a person with a valid qualification
- before installation, make sure that the power supply is disconnected from the power supply
- do not touch the LED chips by hand or tools
- ensure that the wires are properly wired
- repairs of the luminaire can only be done by the manufacturer or by the contractual service
- luminaire must be disconnected from the power supply before installing, disassembling or maintaining
- luminaire must be operated within the range and conditions specified by the manufacturer
- luminaires with DALI are under constant voltage even when they are off.
- maximum number of luminaires per miniature circuit breaker, see table "MAXIMUM NUMBER OF LUMINAIRES"
- cleaning luminaire, diffuser and louvre is recommended with a soft cloth, slightly moistened with clean water or a soapy solution
- when cleaning the luminaire it is forbidden to use sharp or abrasive objects, concentrated solutions of detergents or chemicals
- all technical changes of the construction and feature of luminaire are reserved without notice
- the manufacturer is not responsible for any unprofessional interventions, repairs, improper installation and operation inconsistent with these instructions for use

- operating conditions must be in accordance with the product information and this manual
- the ambient temperature must not exceed an operating temperature range of -20 °C to +25 °C, unless stated otherwise on the product or in the manual
- relative humidity of the ambient must never exceed 80% RH or exceed the IP rating of the luminaire
- number of switching cycles must not exceed 100,000
- luminaire must not be connected to a fluctuating voltage in the range of more than +/- 10% for 230 V AC



