

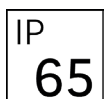
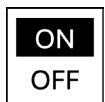
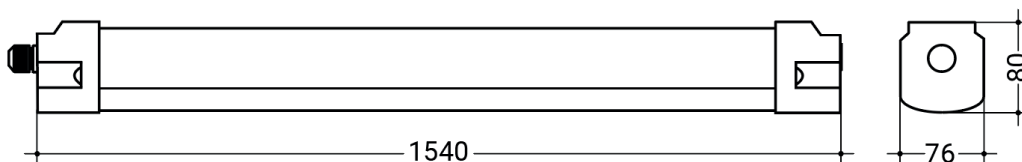
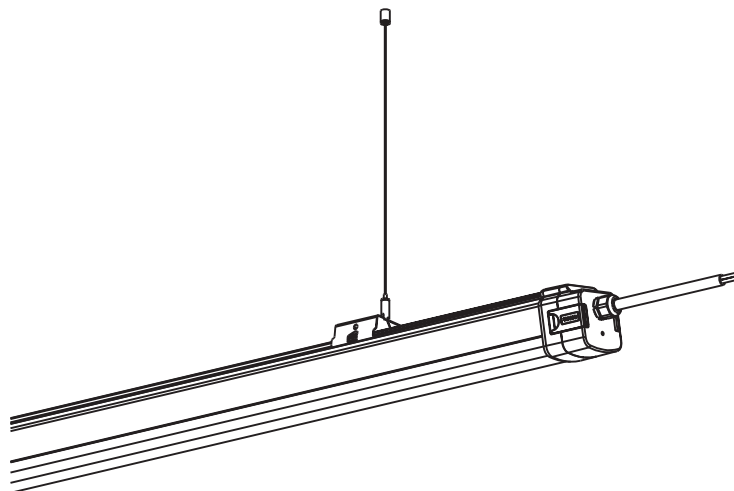
UEBEX
LED LIGHTING

Feuchtraumleuchte POLEDO2

Anschluss

FRP2075.1XX22.1 - 60° / 90° - ON/OFF
FRP2071.1AX22.1 - Opal - ON/OFF
FRP2075.2XX22.1 - 60° / 90° - DALI
FRP2071.2AX22.1 - Opal - DALI
FRP2075.8XX22.1 - 60°/90° - EMC
FRP2071.8AX22.1 - Opal - EMC

220-240V 50/60Hz



To avoid the risk of fire, explosion, or electric shock, this product should be installed, inspected, and maintained by a qualified electrician only, in accordance with all applicable electrical codes.

To avoid electric shock:

- Be certain electrical power is OFF before and during installation and maintenance.
- Luminaire must be connected to a wiring system with an equipment-grounding conductor.
- Make sure the supply voltage is the same as the rated luminaire voltage.
- Do not operate in ambient temperatures above those indicated on the luminaire nameplate.

To avoid Fire:

- Keep flammable and combustible materials away from the light source and/or lens.
- Ensure lamps are installed correctly.
- Use correctly rated supply conductors as indicated by product labeling.

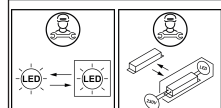
Burn:

- Allow luminaire and lamps to cool before handling luminaire or changing lamp.
- Follow all warnings, restrictions and recommendations given by the lamp manufacturers.

Personal Injury:

- Wear safety glasses and gloves when handling the luminaire to avoid physical injury.
- Avoid direct eye contact with light source.
- Always support the weight of the luminaire.

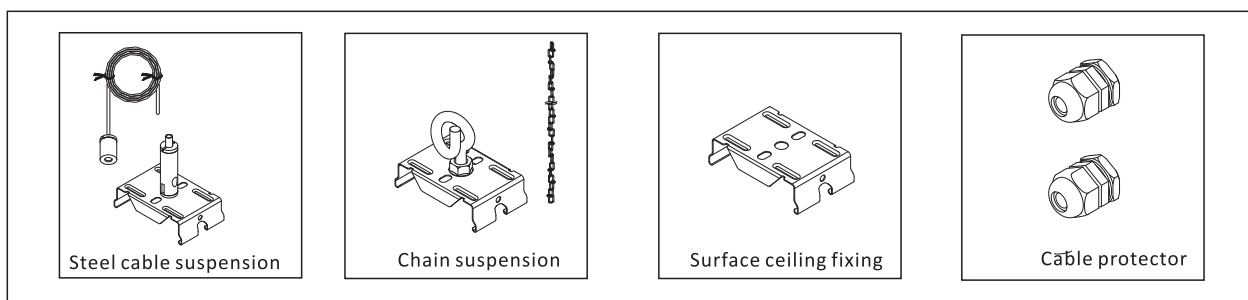
INFORMATION ZUR EU ÖKODESIGN VERORDNUNG



Wichtige Informationen zur Energieeffizienz von UEBEX Leuchten, sowie zur EU Ökodesignverordnung finden Sie unter: www.uebex.com

Dieses Produkt enthält eine Lichtquelle der Energieeffizienzklasse C.
This product contains a light source of energy efficiency class C.

Accessories



DIP SCHALTER EINSTELLUNGEN 60°, 90° | DIP SWITCH SETTING 60°, 90°






ON/OFF

ON		Output current	Power	DIP 1	DIP 2	DIP 3
		200mA	33W	-	-	-
		250mA	40W	ON	-	-
		300mA	49W	-	ON	-
		350mA	56W	ON	ON	-
		400mA	66W	-	-	ON
		450mA	73W	ON	-	ON

DALI







ON		Output current	Power	DIP 1	DIP 2	DIP 3	DIP 4
		100mA	17W	ON	ON	ON	ON
		150mA	24W	-	ON	ON	ON
		200mA	31W	ON	-	ON	ON
		250mA	39W	-	-	ON	ON
		275mA	43W	ON	ON	-	ON
		300mA	47W	-	ON	-	ON
		325mA	51W	ON	-	-	ON
		350mA	56W	-	-	-	ON
		375mA	60W	ON	ON	ON	-
		400mA	64W	-	ON	ON	-
		425mA	68W	ON	-	ON	-
		450mA	72W	-	-	ON	-
		475mA	77W	ON	ON	-	-

ON/OFF

ON		Output current	Power	DIP 1	DIP 2	DIP 3
		200mA	35W	-	-	-
		250mA	43W	ON	-	-
		300mA	52W	-	ON	-
1	2	350mA	60W	ON	ON	-
		400mA	70W	-	-	ON



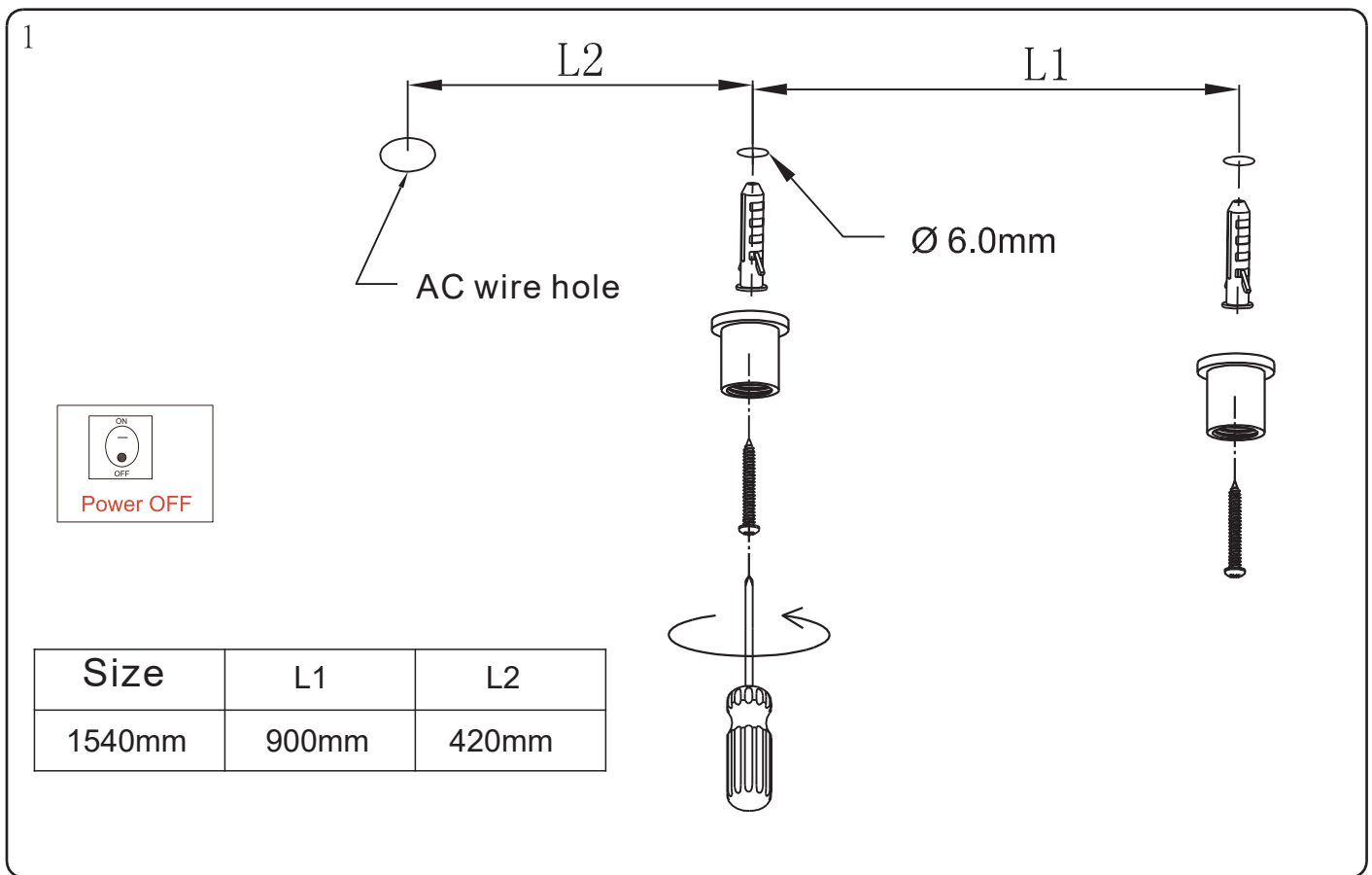
DALI

ON		Output current	Power	DIP 1	DIP 2	DIP 3	DIP 4
		100mA	18W	ON	ON	ON	ON
		150mA	26W	-	ON	ON	ON
		200mA	34W	ON	-	ON	ON
1	2	250mA	43W	-	-	ON	ON
		275mA	47W	ON	ON	-	ON
		300mA	51W	-	ON	-	ON
		325mA	55W	ON	-	-	ON
		350mA	60W	-	-	-	ON
		375mA	64W	ON	ON	ON	-
		400mA	69W	-	ON	ON	-
		425mA	73W	ON	-	ON	-

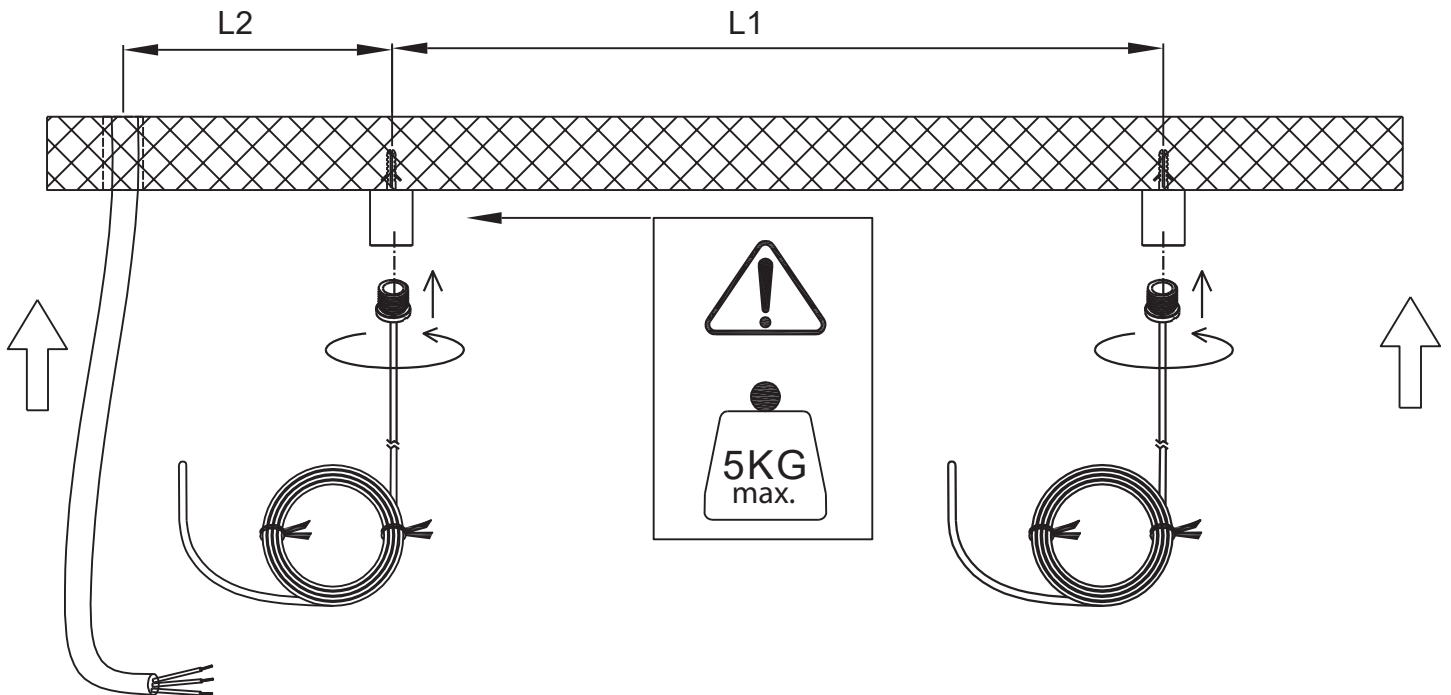


SUSPENDING MOUNTING

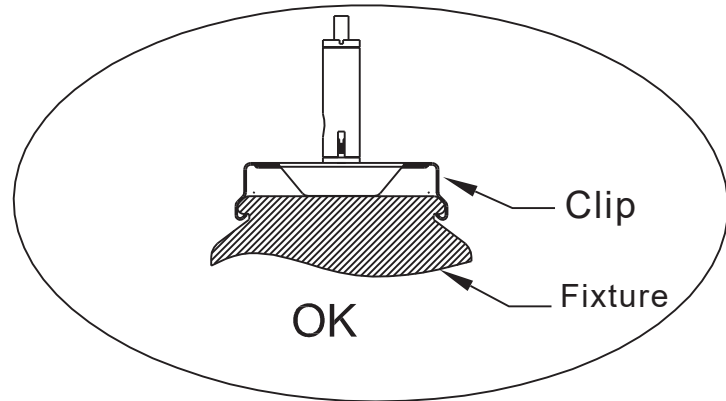
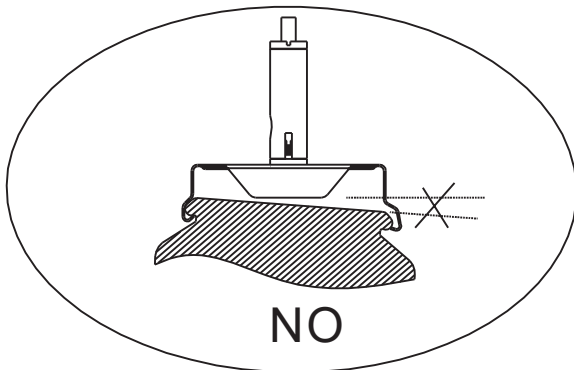
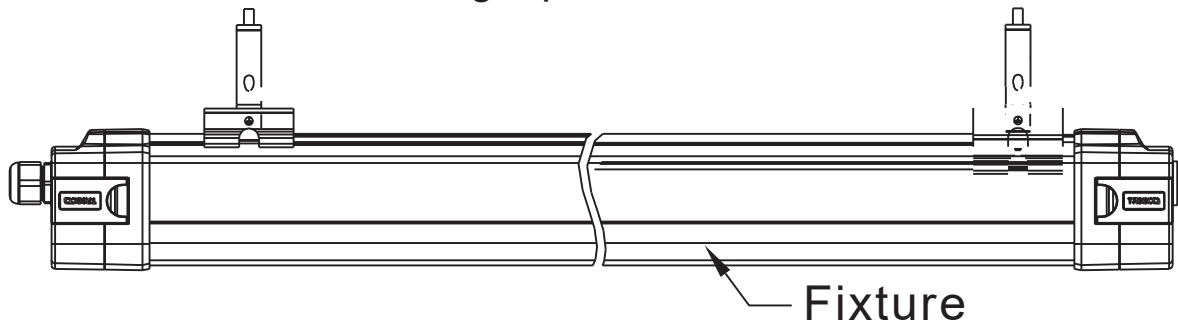
Drill a hole on ceiling.



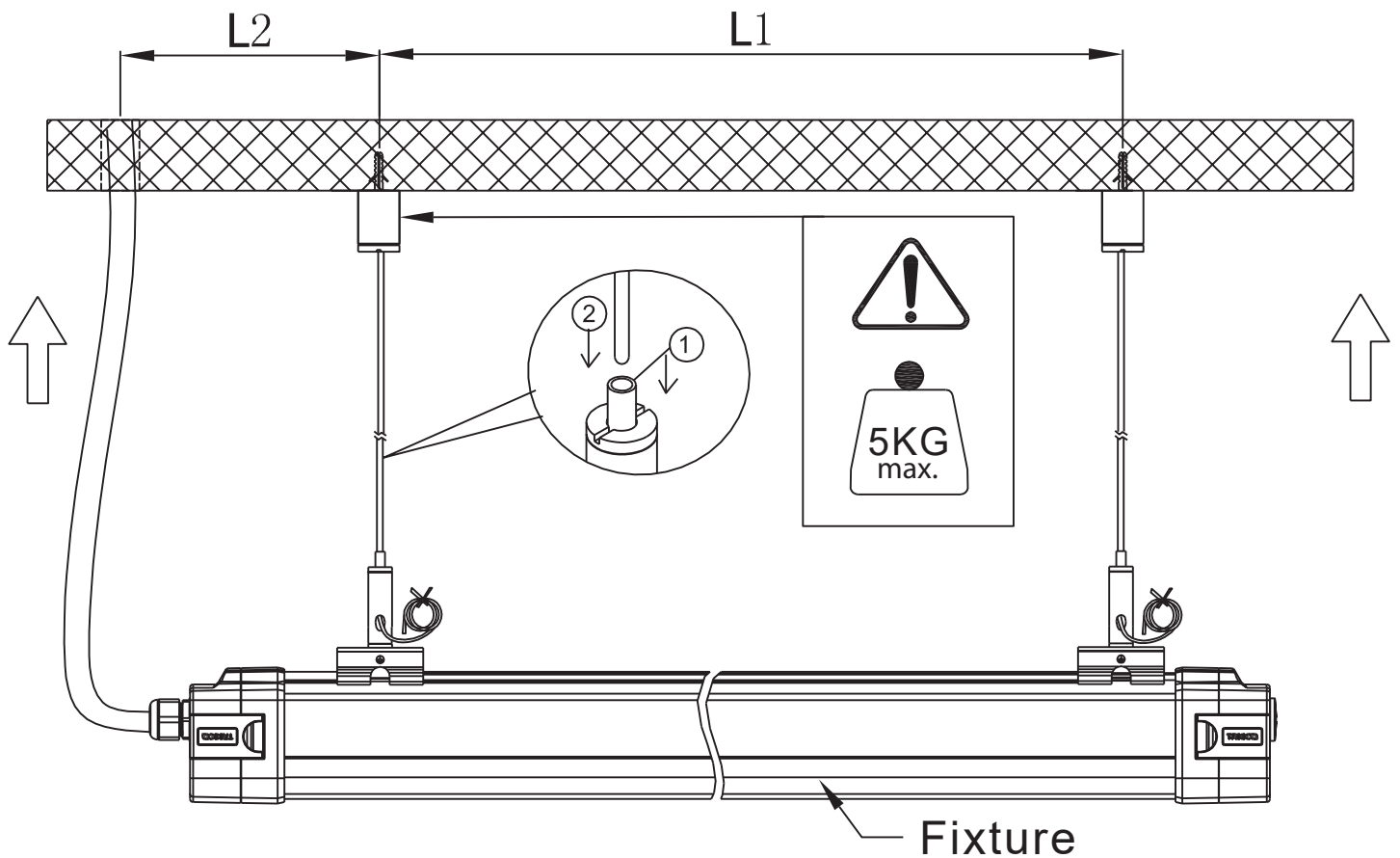
Screw the steel cable onto the ceiling.



Make sure the fixture is in the right place



Pass steel cable through and adjust the fixture suspension height as will.



SURFACE MOUNTING

Drill a hole in the ceiling

1

AC wire hole

Power OFF

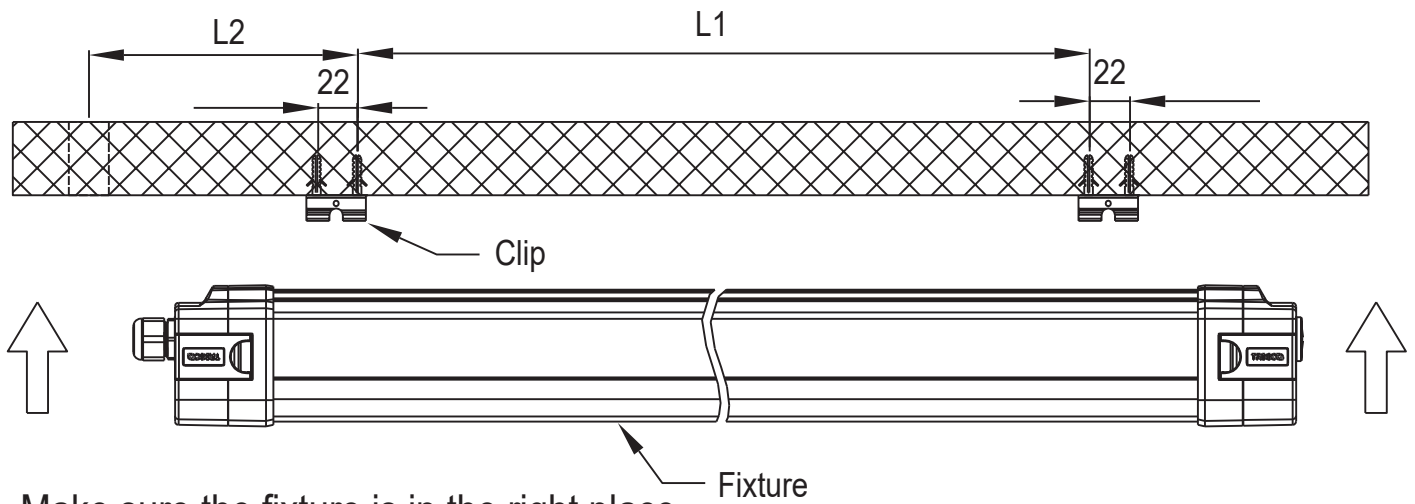
Size	L1	L2
1540mm	900mm	420mm

Ø 6.0mm

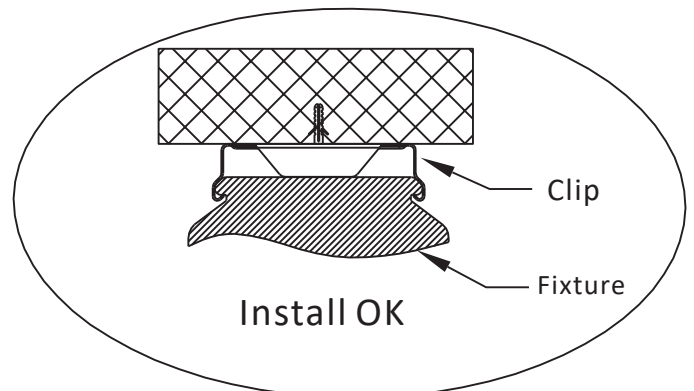
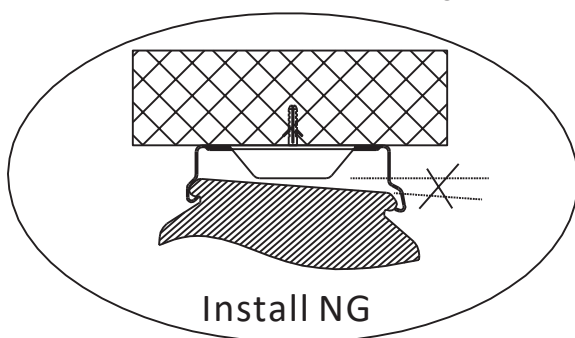
22

5KG max.

Install the fixture into the clips

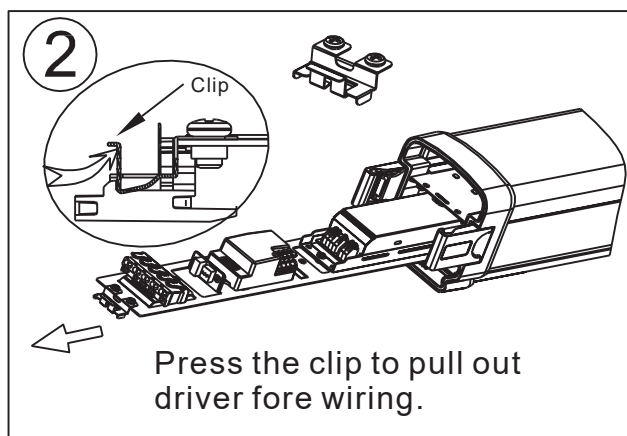
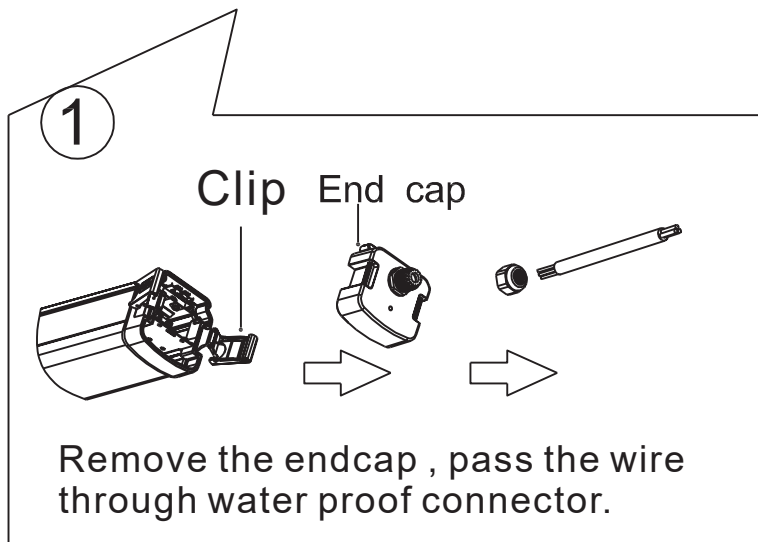
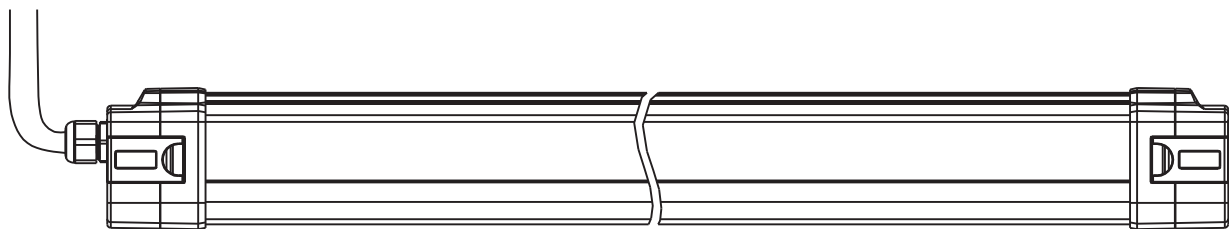


Make sure the fixture is in the right place.

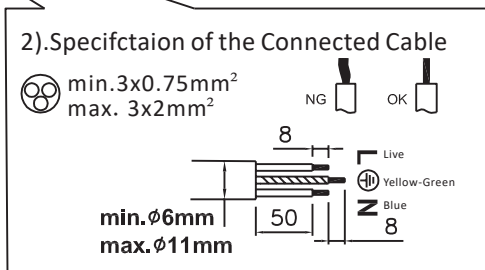
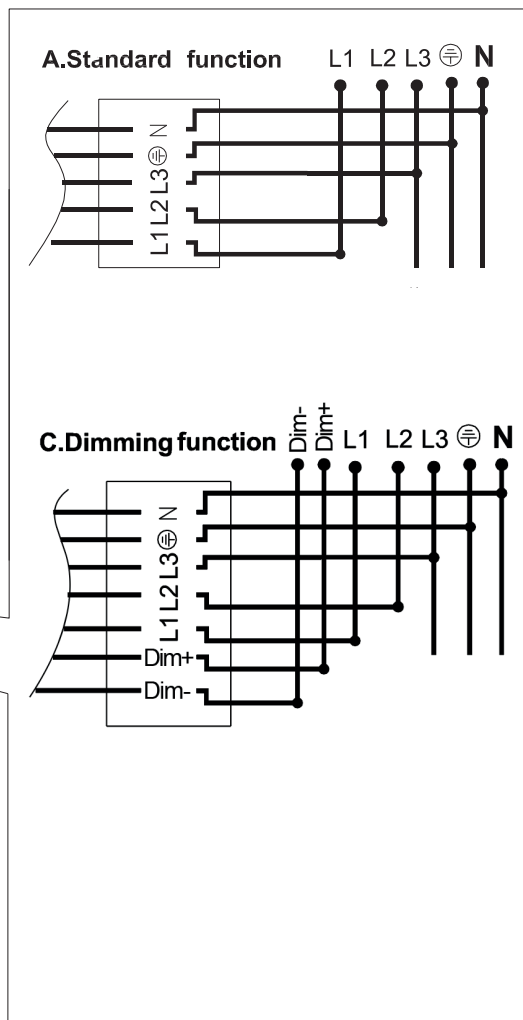
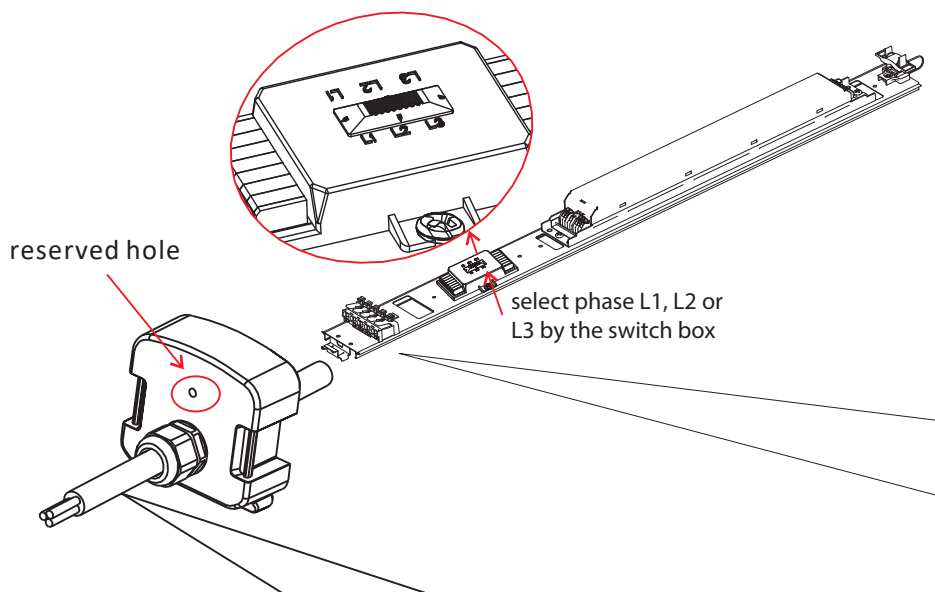


Single fixture installation diagram.

Attention: Always turn off during installation.



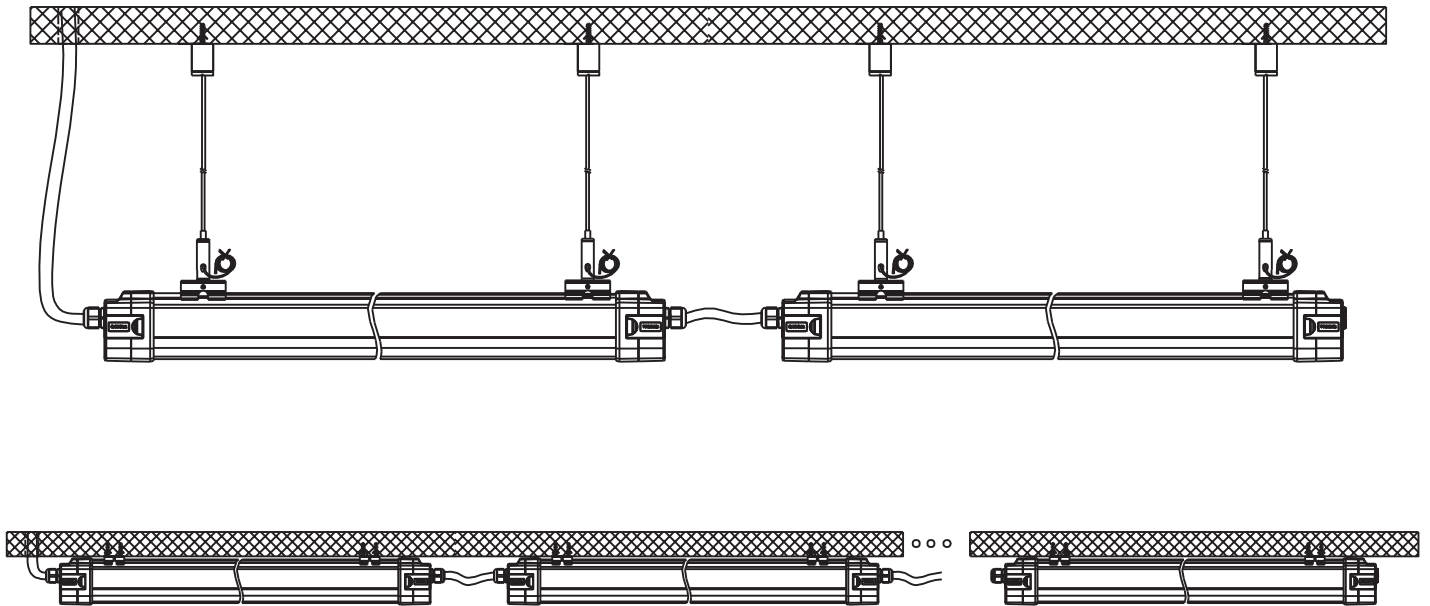
3 Take the diagram on right side for wiring reference.



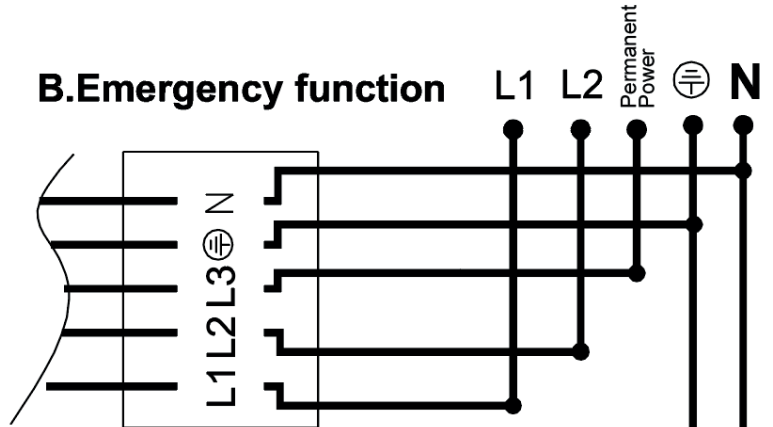
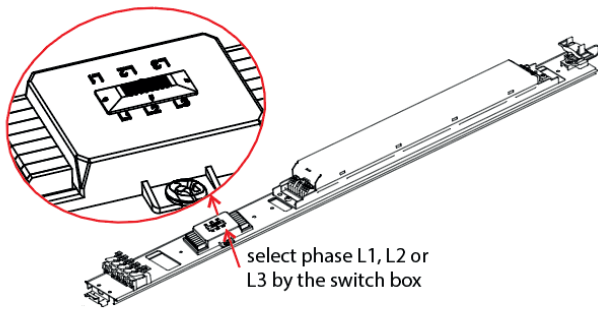
- ④ Confirm the wiring, fix endcap with clip, tighten waterproof connector, then switch on.

Continuous installation diagram.

Attention: Always turn power off during installation



Leuchte mit Notlichtfunktion | Luminare with emergency function



L3 ist deaktiviert und für die permanente Spannungsversorgung vorgesehen. Bei einem Netzausfall schaltet das System automatisch in den Notbetrieb. | L3 is deactivated and is to be used for permanent power supply; in the event of a power failure, the system automatically switches to emergency operation

Vorschaltgerät für Notlichtbetrieb Technische Daten | Emergency driver technical data

Seriennummer Serial No.	Typische Notstromleistung Typical output emergency power	Netzeingangsstrom, min. Mains input current, min.	Netzeingangsstrom, max. Mains input current, max.	Eingangsleistung im Netzbetrieb, min. input power in mains operation, min.	Eingangsleistung im Netzbetrieb, max. input power in mains operation, max.
EEC110H-ST	10W	5mA	30mA	0.45W	4.5W

Seriennummer Serial No.	LED-Modul-Durchlassspannung Bereich Min-Max LED module forward voltage range Min-Max	LED-Modul-Durchlasstrom Bereich Min-Max LED module forward current range Min-Max	LED-Modul Vorwärtsleistung Bereich Min-Max LED module forward power range Min-Max
EEC110H-10W	240-430Vdc	16-35mA	7.5-8.5W

System status mit LED Anzeige | System status by indicator led

LED Indication	Status	Description
Permanent Green	Standby ,System OK	Mains Operation ,battery is charged
Fast flashing Green (0.25s on 0.25s off)	Function test underway	Function test underway
Slow flashing Green (1s on 1s off)	Duration test underway	Duration test underway
Permanent Red	Lamp failure	Open Circuit or Short circuit or LED failure
Fast flashing Red (0.25s on 0.25s off)	Battery capacity failure	Battery failed duration test
Slow flashing Red (1s on 1s off)	Battery fault	Incorrect battery voltage or Short circuit or Open Circuit
Green and Red off	Battery Operation	Emergency mode:Mains disconnected or Mains failure
Slow flashing Red (1s on 3s off)	Temperture error	Battery temperture is above 60±2°C or below 0+2°C

NOTICE

Fault status:

If an error is detected, the indicator LED will switch to RED. If the error has been corrected please re-connecting the battery after the mains power off, the indicator LED immediately will switch back to GREEN when mains power on.

NOTICE

Battery failed duration test:

After an exchange of the battery and holding down the button (>10S) reset the timer, the indicat or LED will switch to GREEN.

If the battery temperature is above 60 ± 2 °C or below 0+2 °C, the indicator light will display an error and the battery will stop charging.