

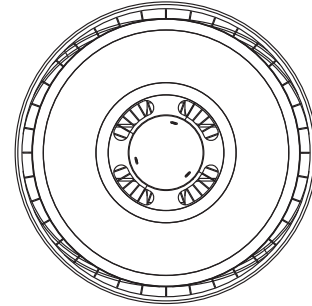
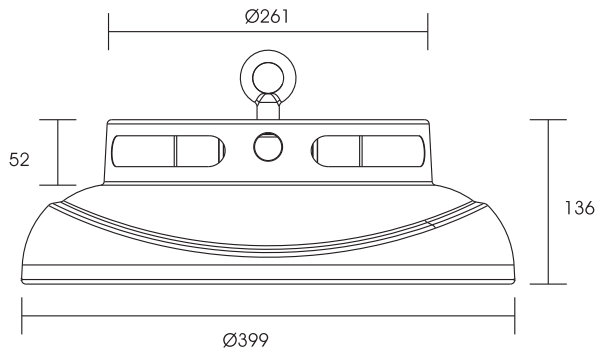
UEBEX
LED LIGHTING

Name

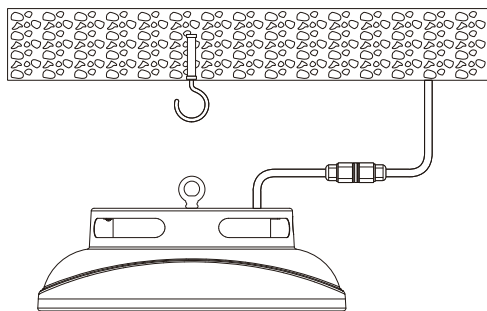
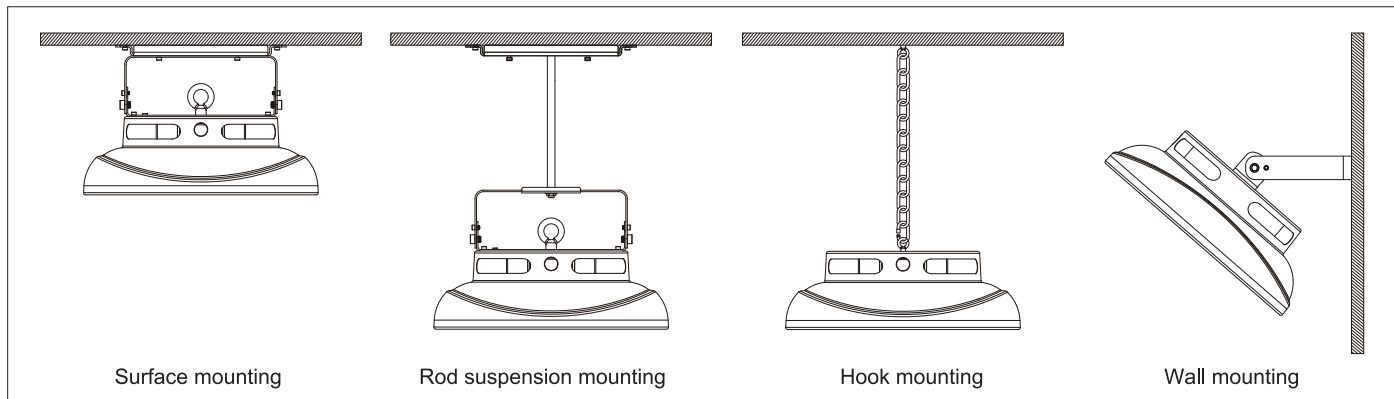
Hallenleuchte HB2
200W | HLH2200
130W | HLH2130

Input Characteristics

100-277V 50/60Hz
Power Factor >0.95



Installation



1. Attach eye bolt mounting to hook on the structure (like ceiling).
2. Connect the power supply to the driver through the waterproof cable connector.
3. Using the adjustable cable clamps, adjust the length of the cables to get the desired height.
4. Turn on the light.



To avoid the risk of fire, explosion, or electric shock, this product should be installed, inspected, and maintained by a qualified electrician only, in accordance with all applicable electrical codes.

To avoid electric shock:

- Be certain electrical power is OFF before and during installation and maintenance.
- Luminaire must be connected to a wiring system with an equipment-grounding conductor.
- Make sure the supply voltage is the same as the rated luminaire voltage.
- Do not operate in ambient temperatures above those indicated on the luminaire nameplate.

To avoid Fire:

- Keep flammable and combustible materials away from the light source and/or lens.
- Ensure lamps are installed correctly.
- Use correctly rated supply conductors as indicated by product labeling.

Burn:

- Allow luminaire and lamps to cool before handling luminaire or changing lamp.
- Follow all warnings, restrictions and recommendations given by the lamp manufacturers.

Personal Injury:

- Wear safety glasses and gloves when handling the luminaire to avoid physical injury.
- Avoid direct eye contact with light source.
- Always support the weight of the luminaire.